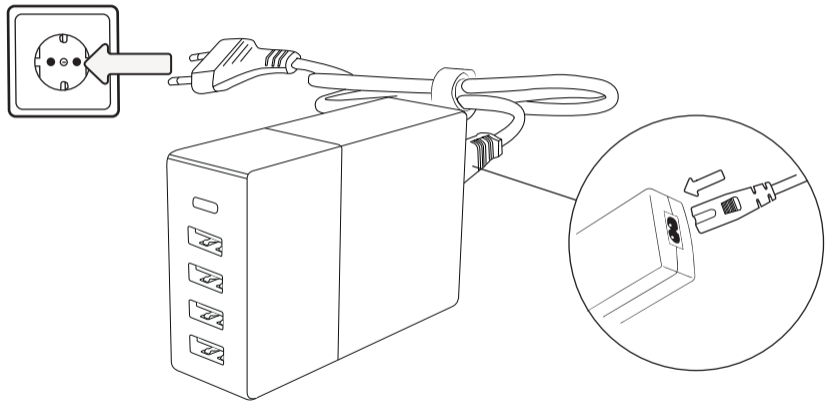


FREQUENTLY ASKED QUESTIONS
WWW.TRUST.COM/22502/FAQ



[USER GUIDE]
[5 PORT CHARGER]

1. SETUP



2. CHARGE DEVICES

