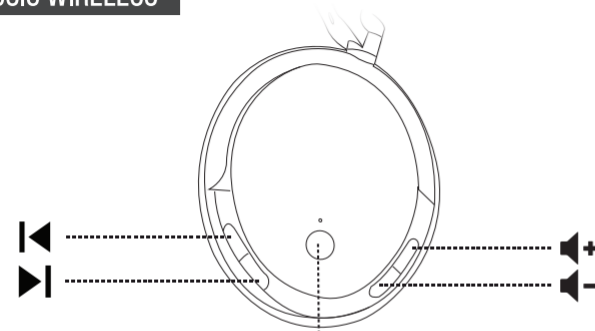


4. PLAY MUSIC WIRELESS



3 SEC.



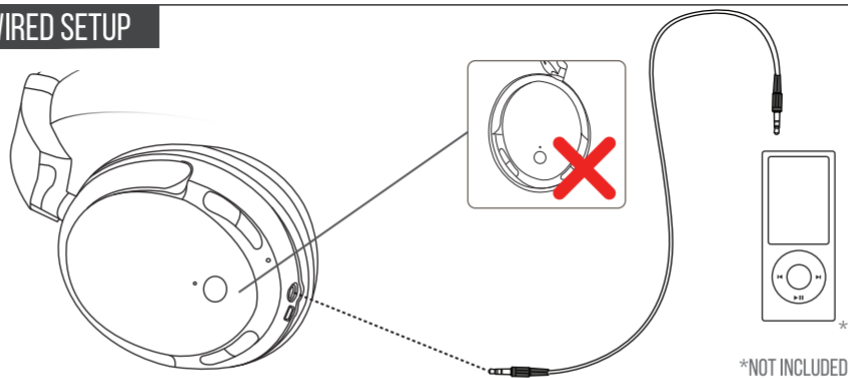
PRESS



PRESS



6. WIRED SETUP



*NOT INCLUDED

FAQ

Frequently asked questions

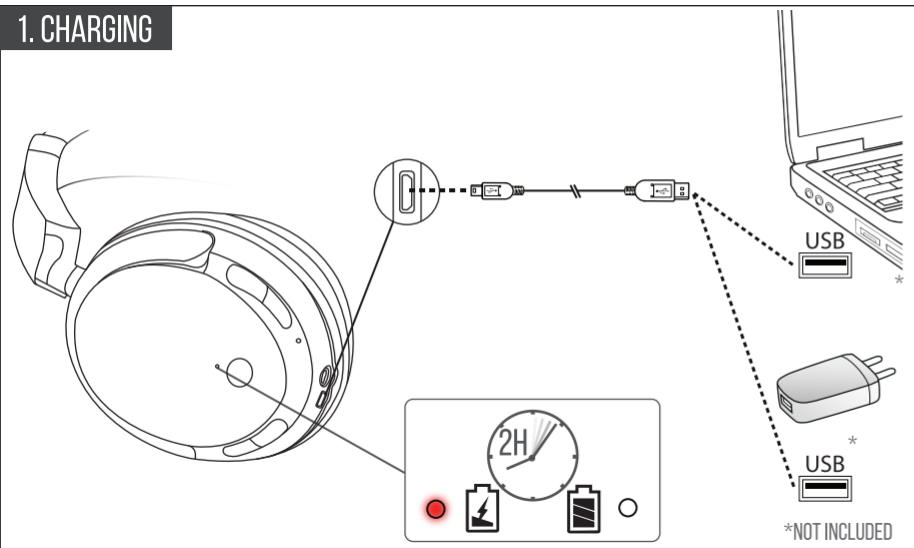
www.trust.com/22452/faq

Trust
URBAN

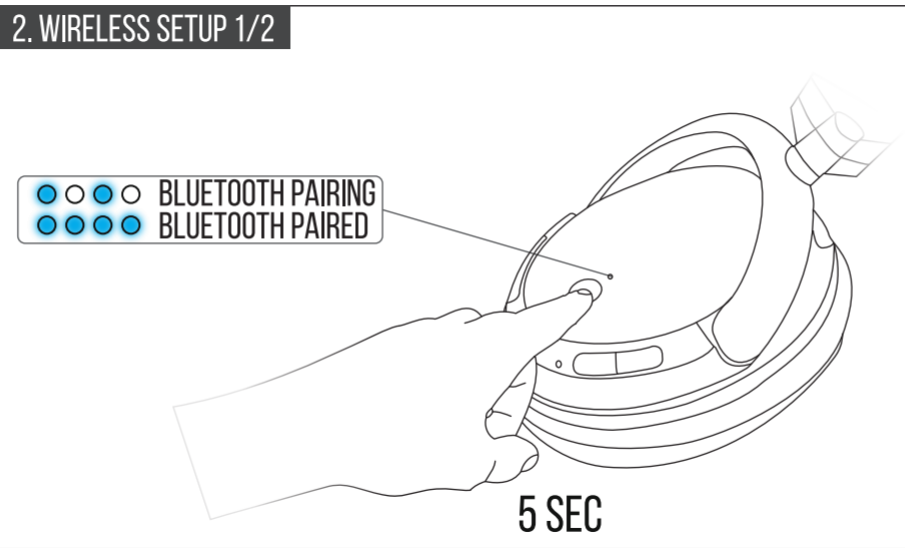


USER GUIDE
WIRELESS HEADPHONE

1. CHARGING



2. WIRELESS SETUP 1/2



3. WIRELESS SETUP 2/2

