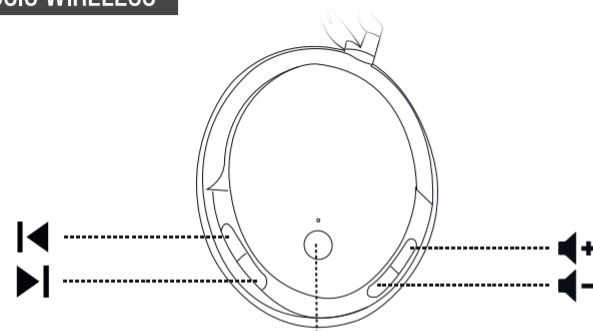


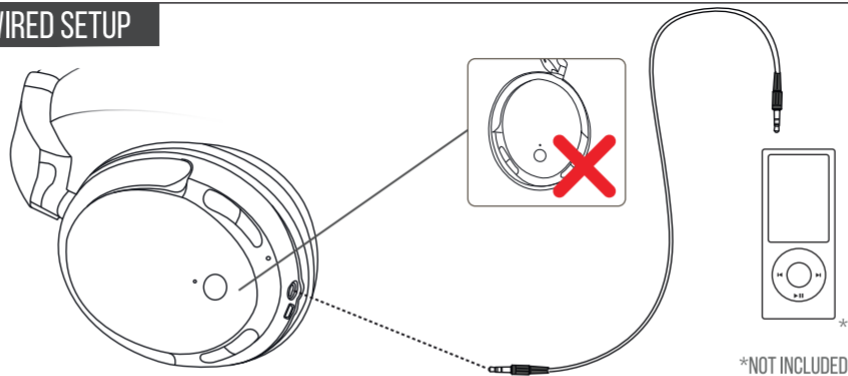
#### 4. PLAY MUSIC WIRELESS



4 SEC.  
PRESS  
PRESS



#### 6. WIRED SETUP



\*NOT INCLUDED

#### FAQ

Frequently asked questions

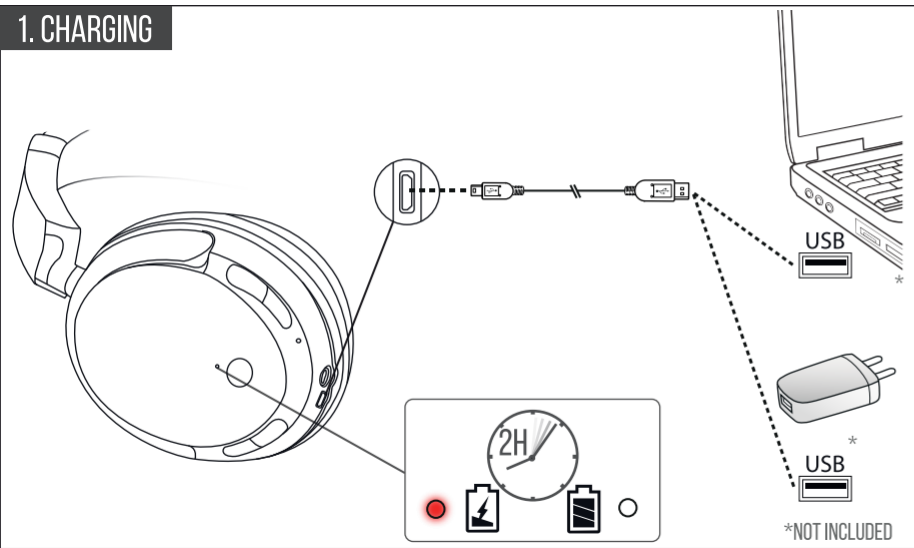
[www.trust.com/22452/faq](http://www.trust.com/22452/faq)

**Trust**  
**URBAN**

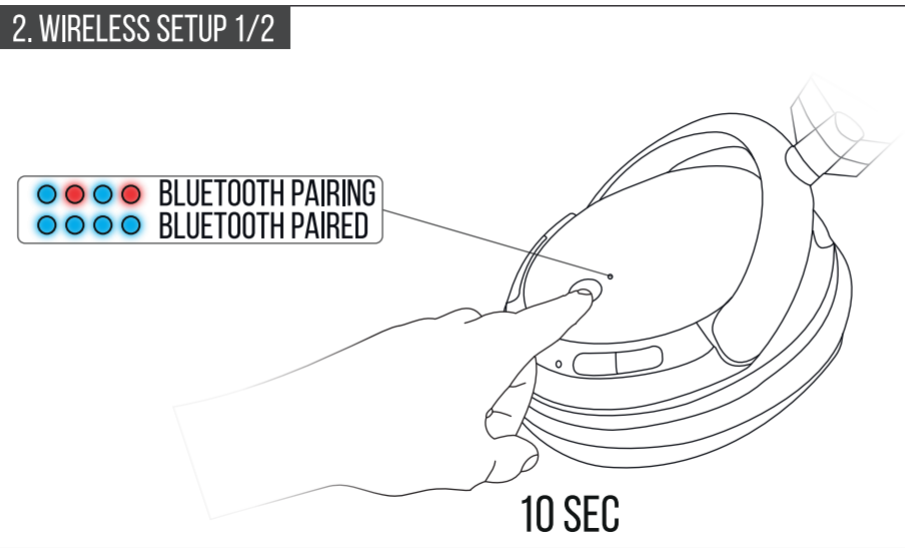


**USER GUIDE**  
**WIRELESS HEADPHONE**

# 1. CHARGING



# 2. WIRELESS SETUP 1/2



# 3. WIRELESS SETUP 2/2

