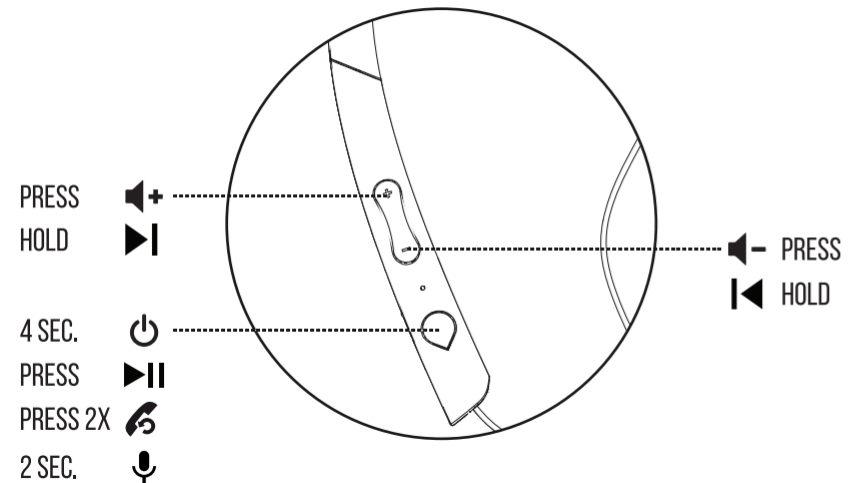


## 4. CONTROLS



## FAQ

### FREQUENTLY ASKED QUESTIONS

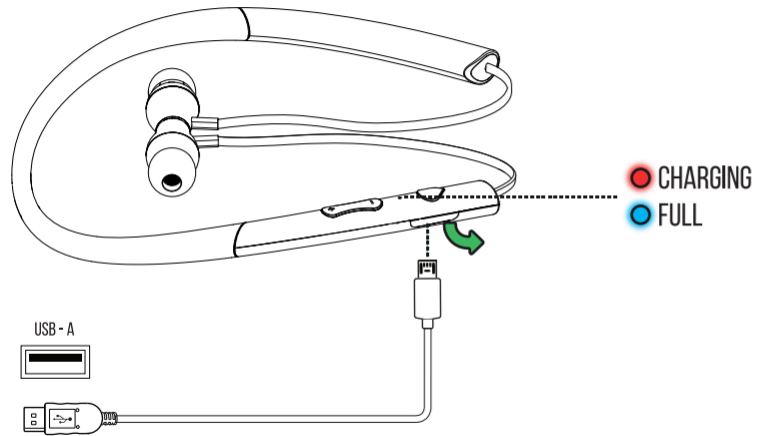
[WWW.TRUST.COM/22206/FAQ](http://WWW.TRUST.COM/22206/FAQ)

**Trust**  
**URBAN**

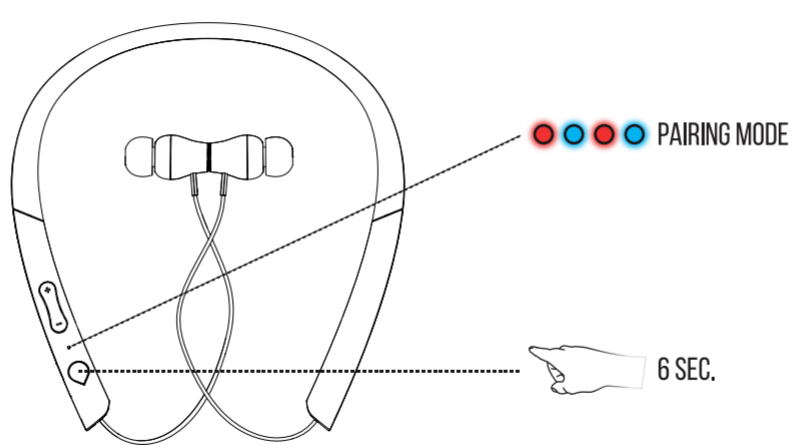


**USER GUIDE**  
**NECKBAND EARPHONES**

## 1. CHARGING



## 2A. WIRELESS SETUP



## 2B. WIRELESS SETUP



## WIRELESS TROUBLESHOOT

