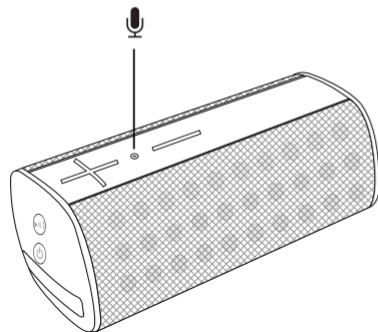
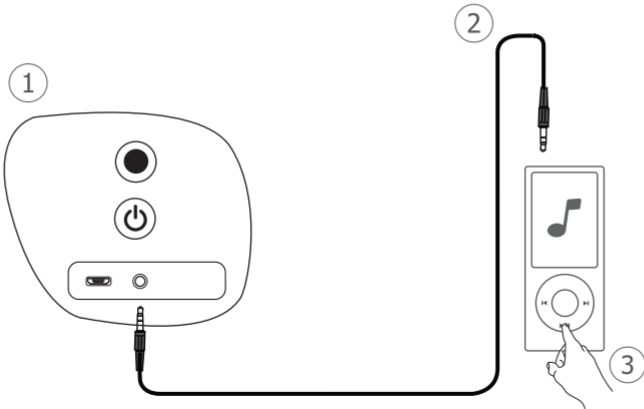


Wireless - phone call



Wired - setup



FAQ

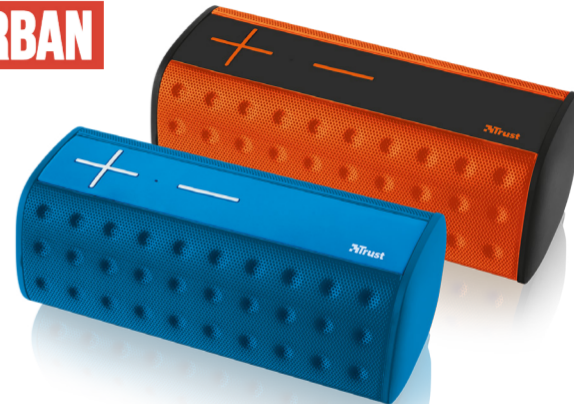
Frequently asked questions

<http://www.trust.com/20098/faq>

Trust International BV, Laan van Barcelona 600 3317DD, Dordrecht (NL)

© 14-07-2015 Trust International BV All rights reserved.

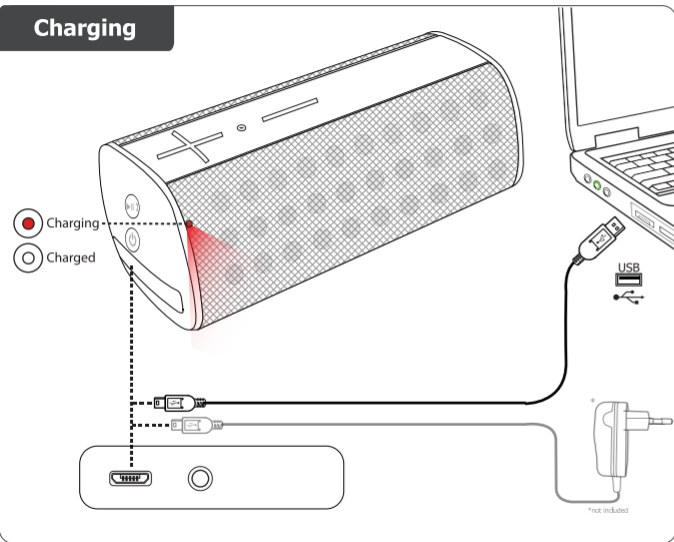
Trust
URBAN



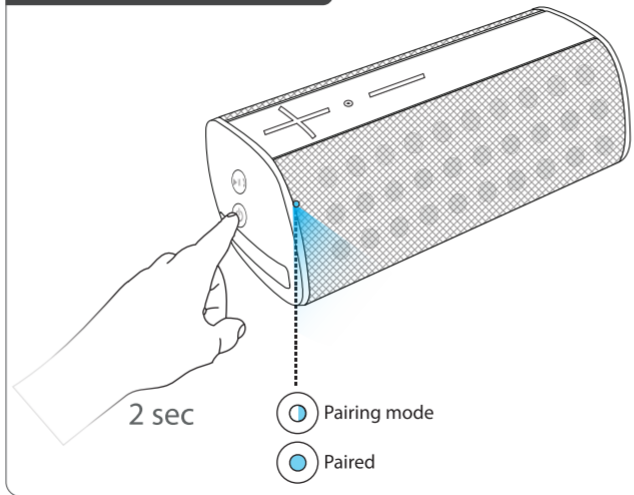
Quick Installation Guide

Deci wireless speaker

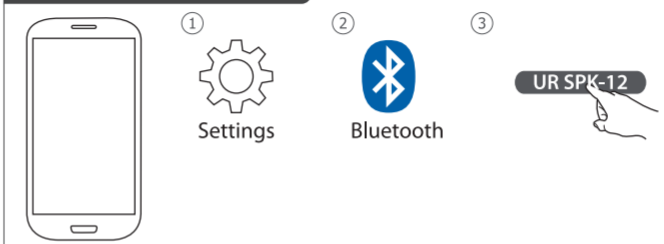
Charging



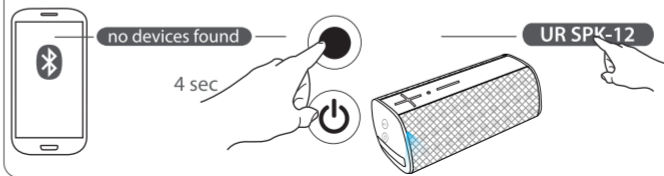
Wireless - setup 1/2



Wireless - setup 2/2



Wireless - Troubleshooting



Wireless - play music

