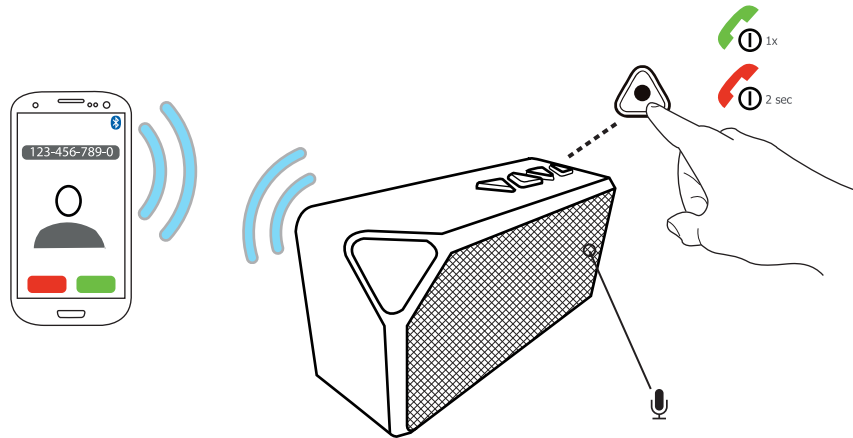
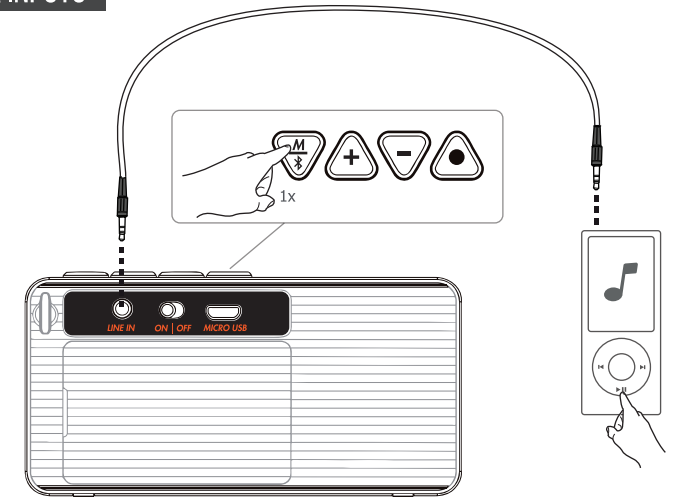


## 6. WIRELESS PHONECALL



## 7. OTHER INPUTS



## FAQ

Frequently asked questions

<http://www.trust.com/19855/faq>

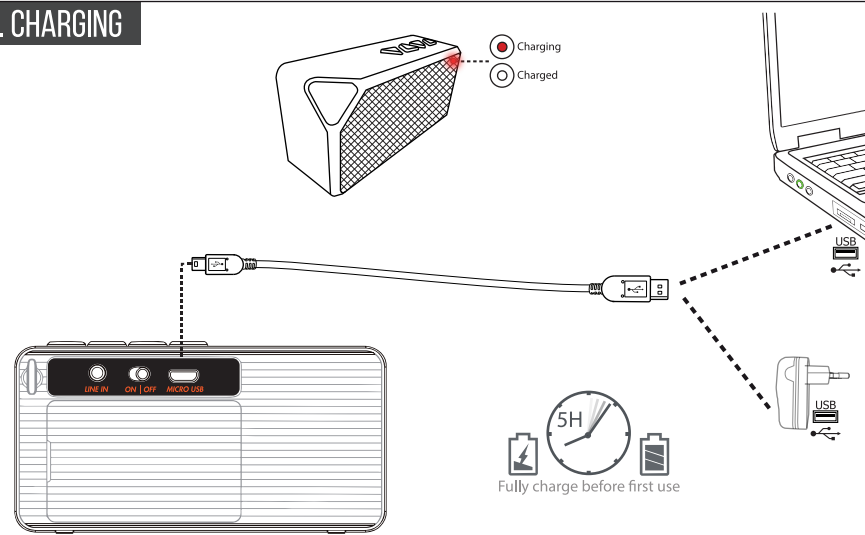
**Trust**  
**URBAN**



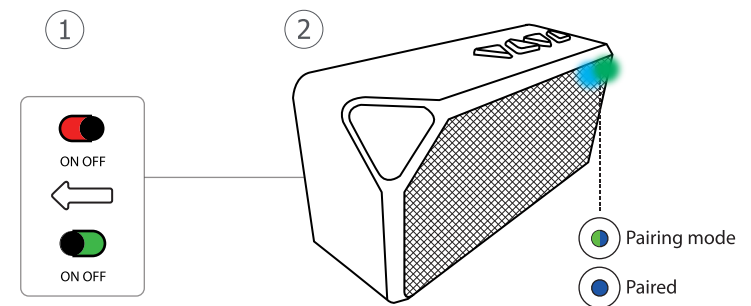
**[ USER GUIDE ]**  
**WIRELESS SPEAKER**

YZ0

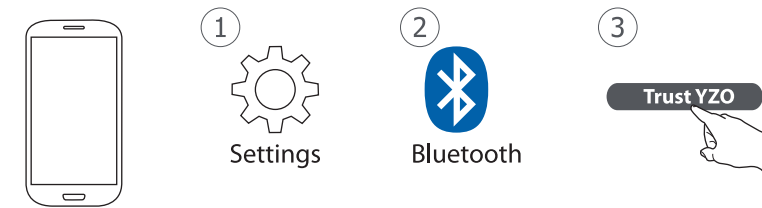
## 1. CHARGING



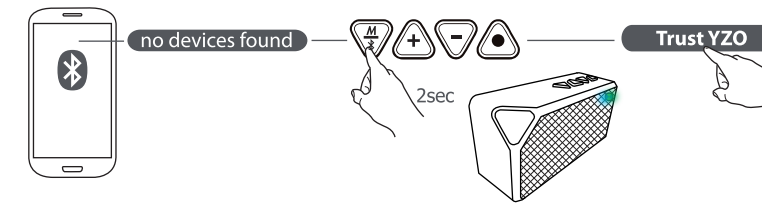
## 2. WIRELESS SETUP 1/2



## 3. WIRELESS - SETUP 2/2



## 4. WIRELESS - TROUBLESHOOTING



## 5. WIRELESS - PLAY MUSIC

