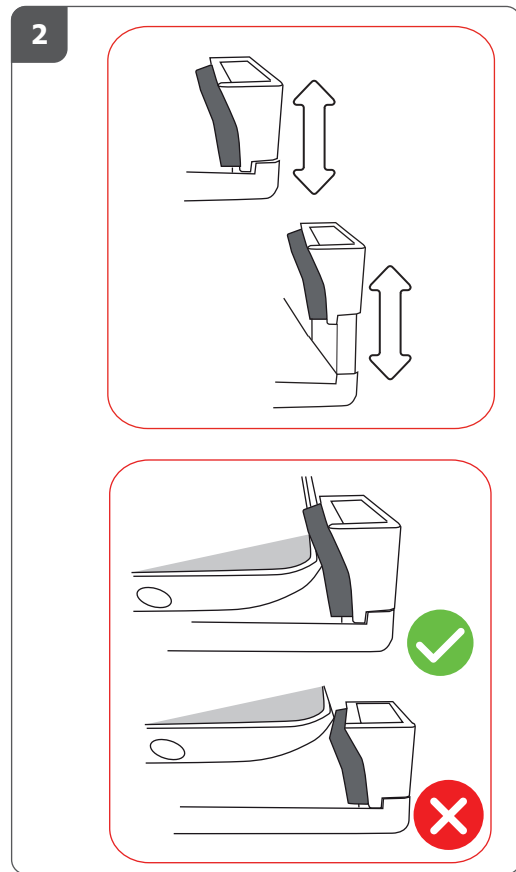
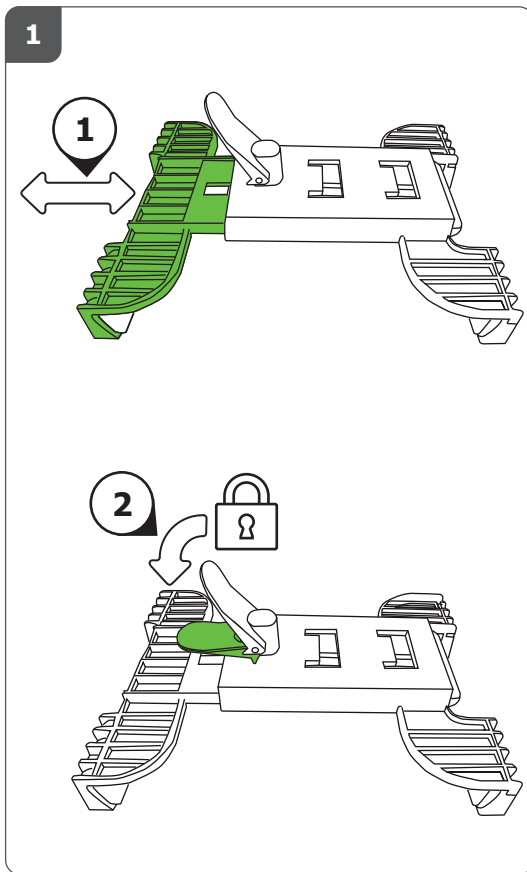


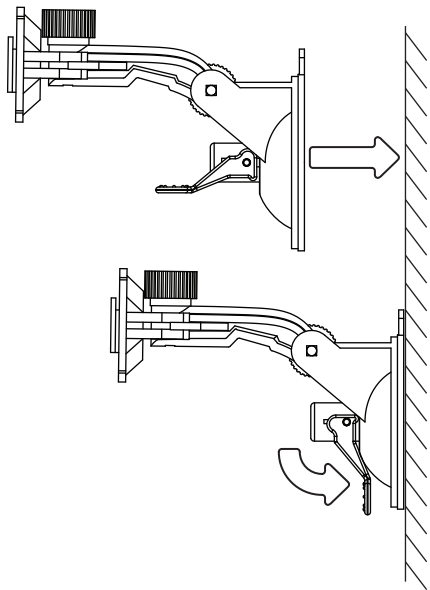


Quick Installation Guide

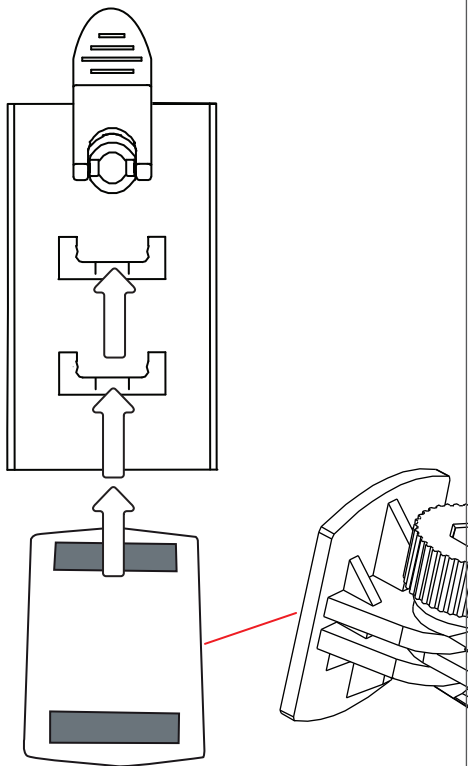
Car Tablet Holder



3



4



Frequently asked questions

www.trust.com/19735/faq