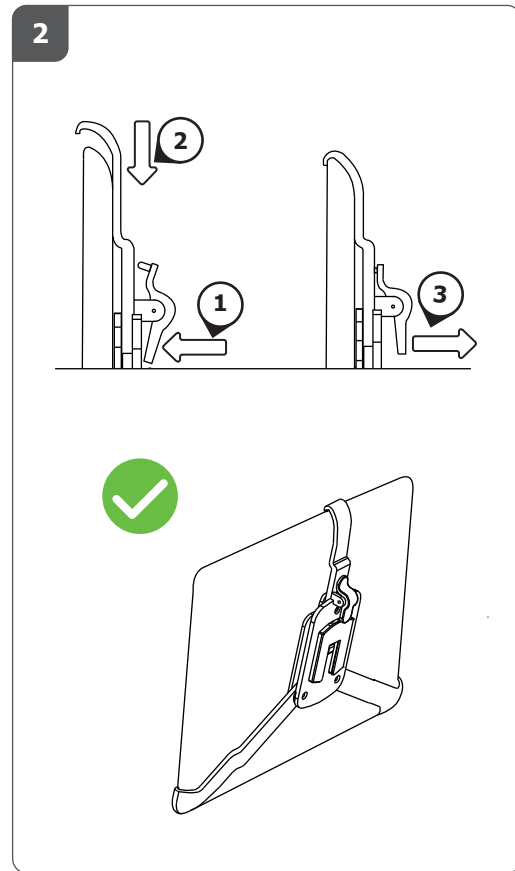
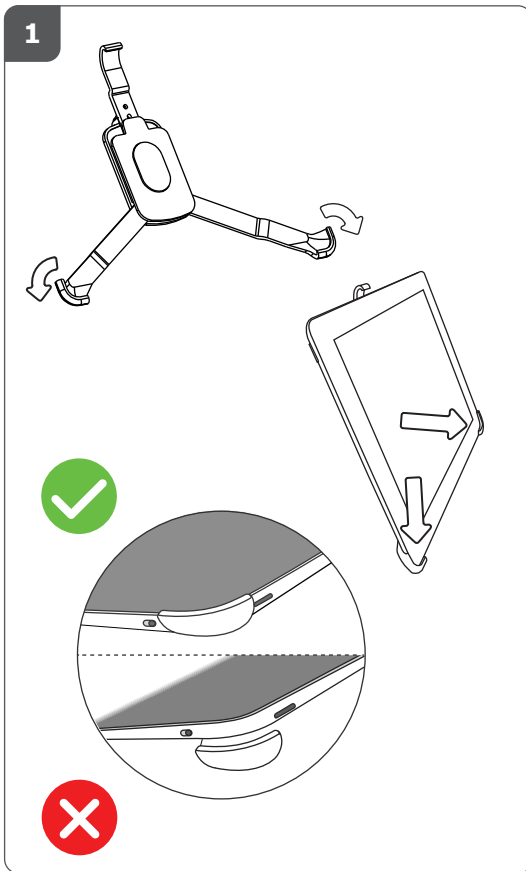


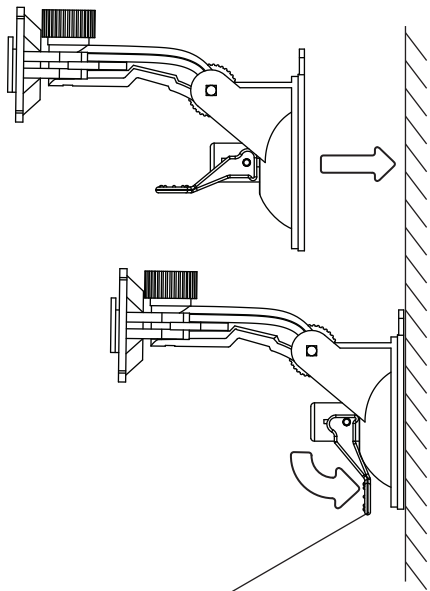


## Quick Installation Guide

Car Holder for iPad mini

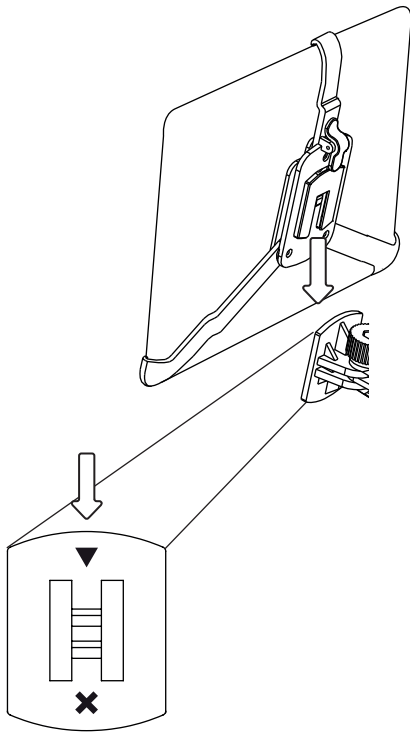


3



**! BOTTOM FRONT !**

4



Frequently asked questions

[www.trust.com/19151/faq](http://www.trust.com/19151/faq)