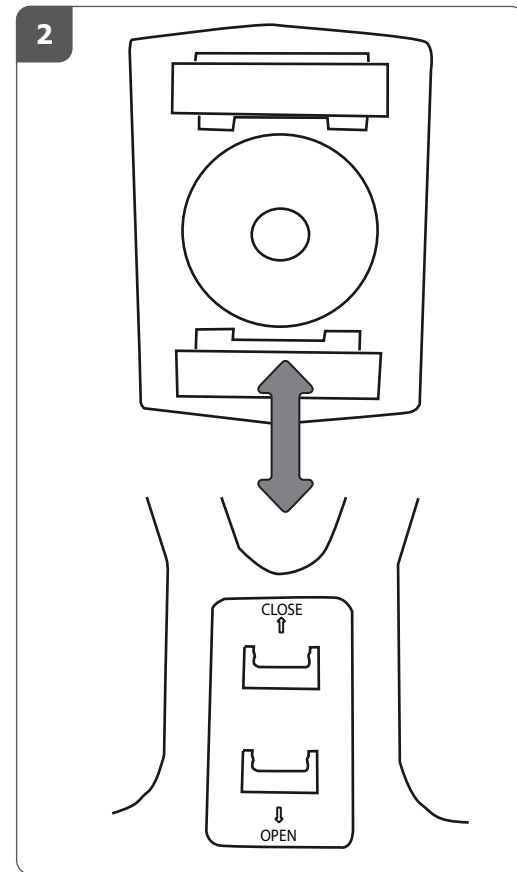
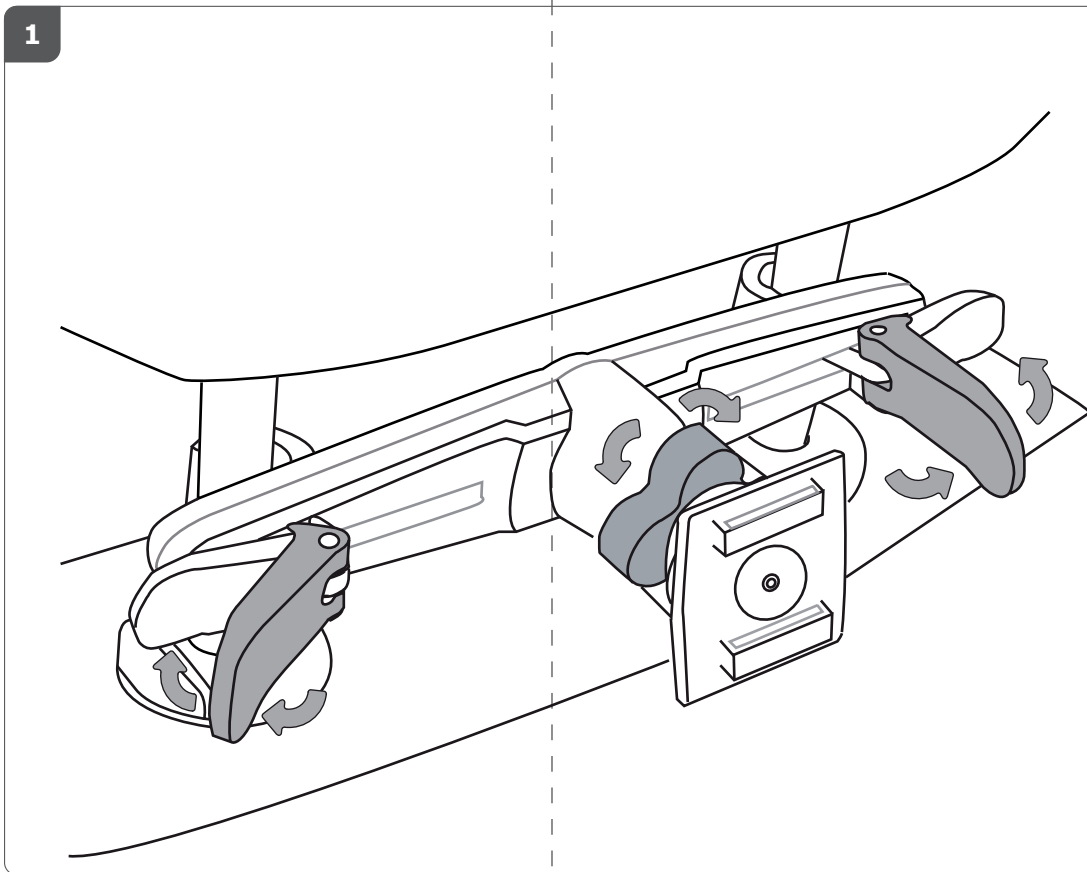


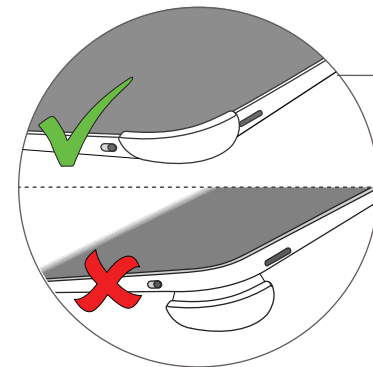
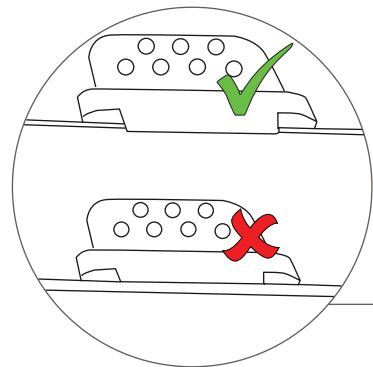
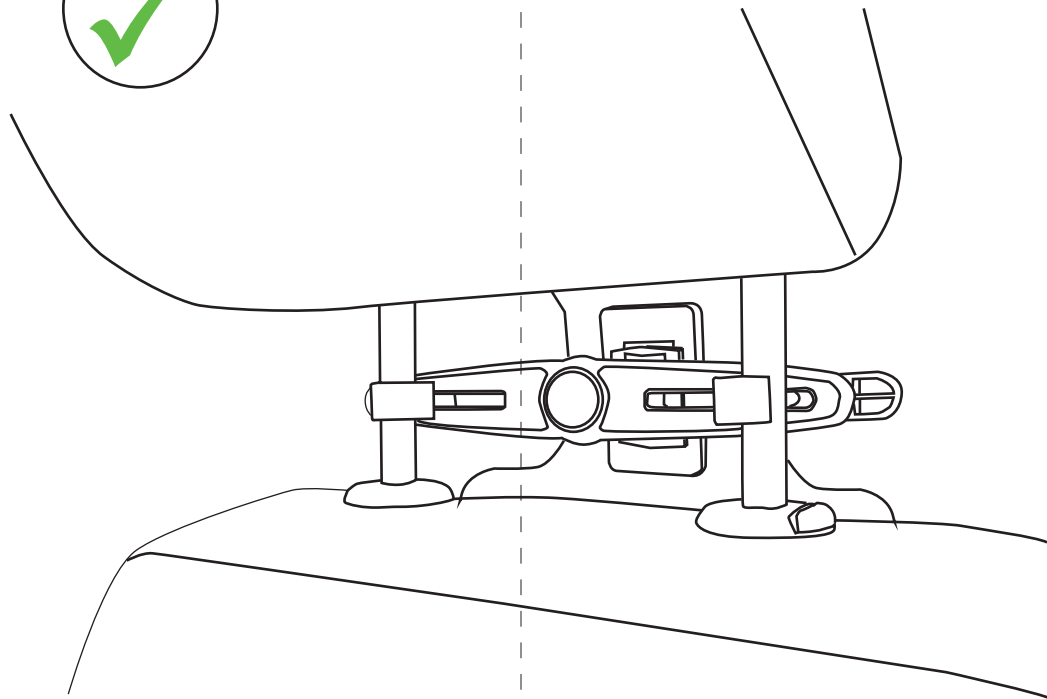


## Quick Installation Guide

Car Backseat Holder For iPad



4



### Frequently asked questions

[www.trust.com/18025/faq](http://www.trust.com/18025/faq)

