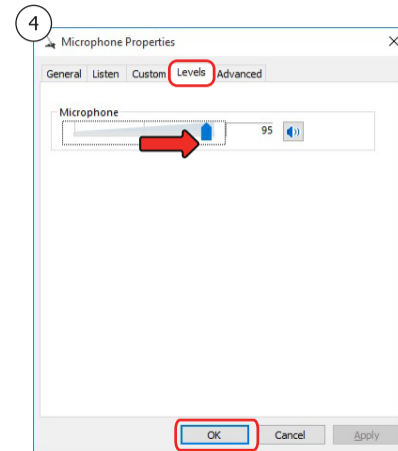
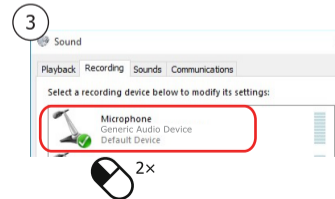
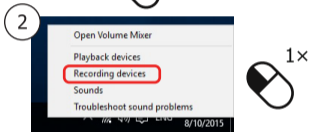
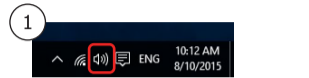
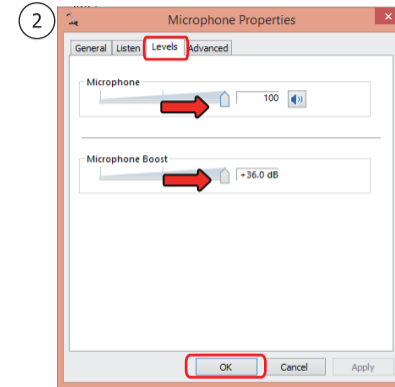
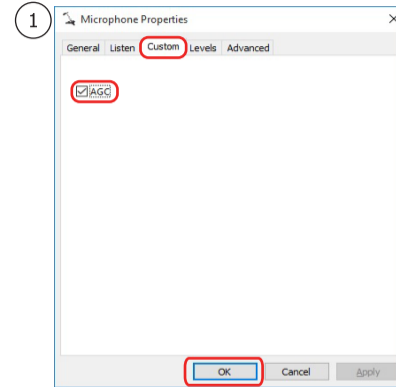


4. Installation 2/3



5. Installation 3/3



FAQ

Frequently Asked Questions

<http://www.trust.com/16904/faq>

Trust International BV - Laan van Barcelona 600 - 3317DD, Dordrecht, NL

© 11-05-2016 Trust All rights reserved.

Trust

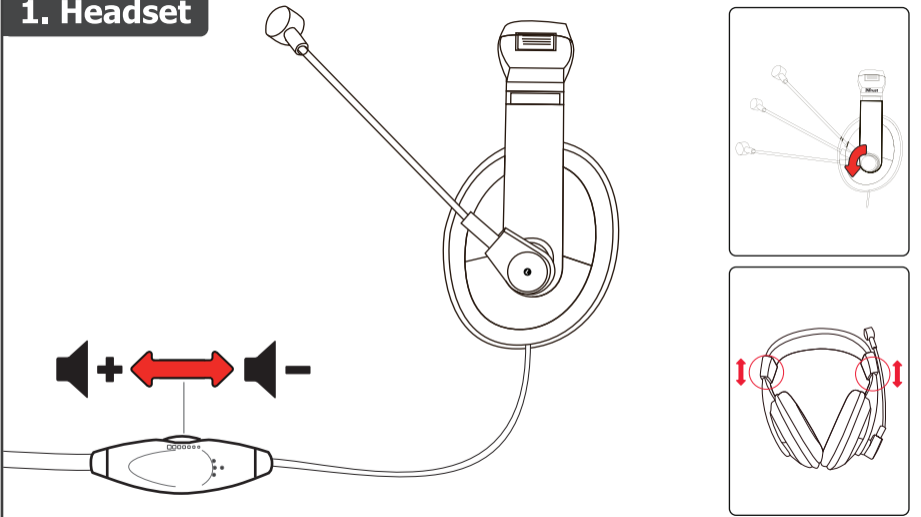
HEADSET
for laptop, phone
and tablet

QUASAR

Quick Installation Guide



1. Headset

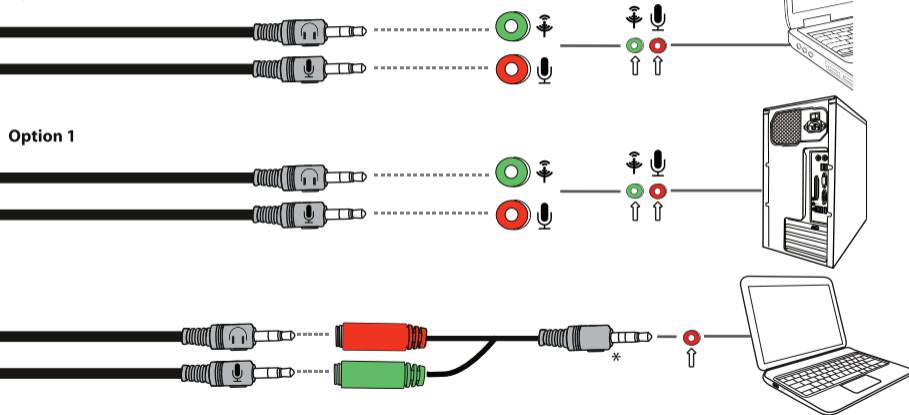


2. Setup

Option 1

Option 1

Option 1



* Not included but available for free via Trust Helpdesk

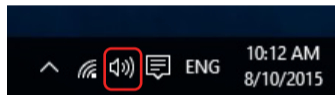
3. Installation 1/3

Windows 8
Start here



Windows 10/8/7

1



2

