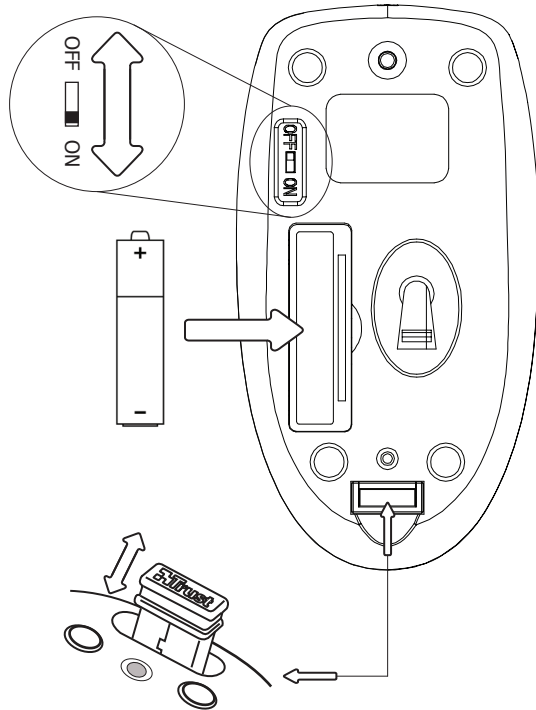




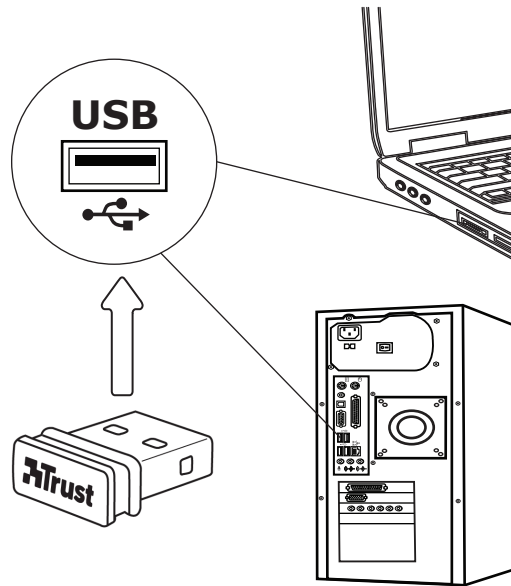
## Quick Installation Guide

Wireless Mouse

1



2



?

FAQ



[trust.com/16592/faq](http://trust.com/16592/faq)