

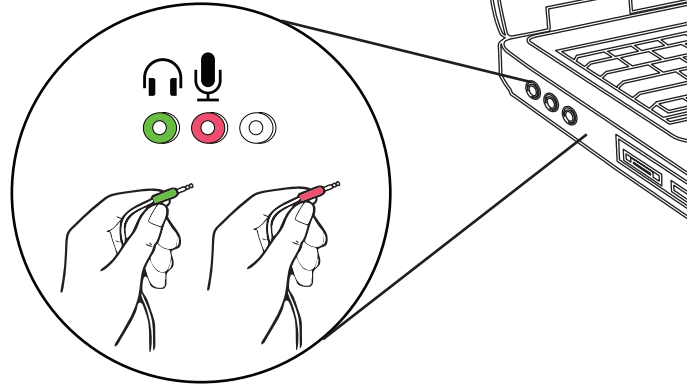


## Quick Installation Guide

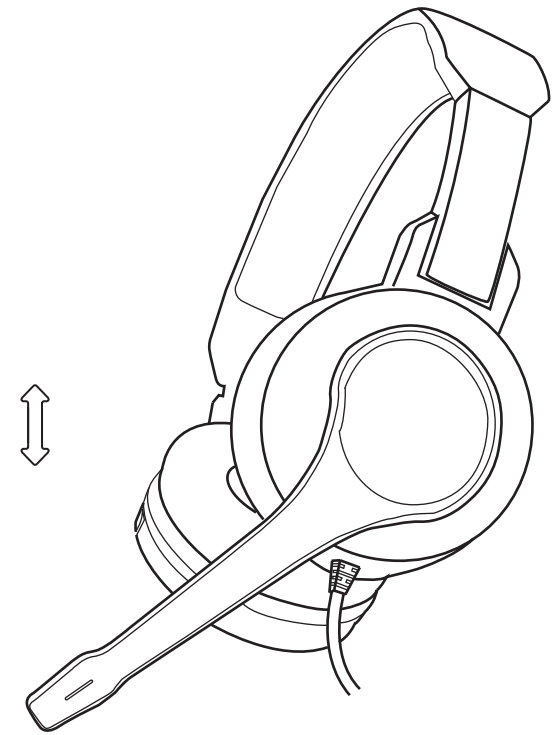
Gaming Headset

16450

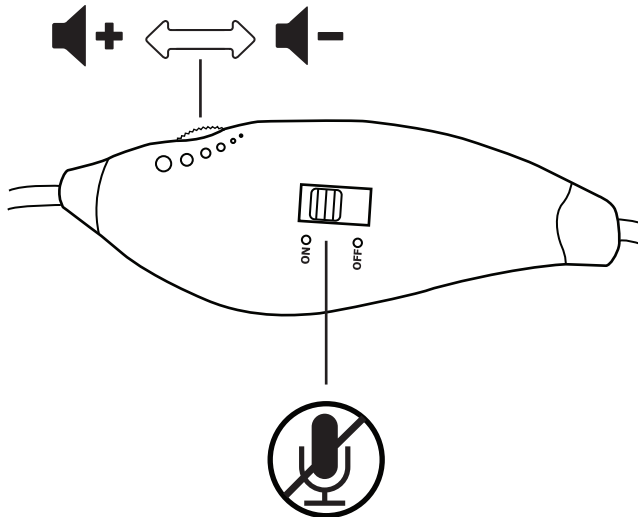
1



2

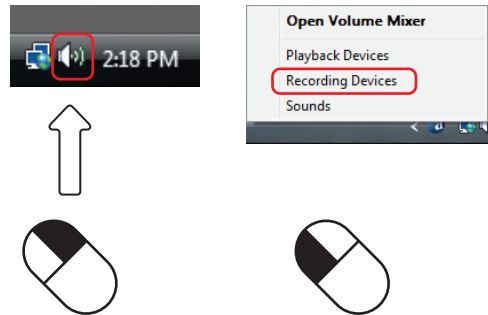


3

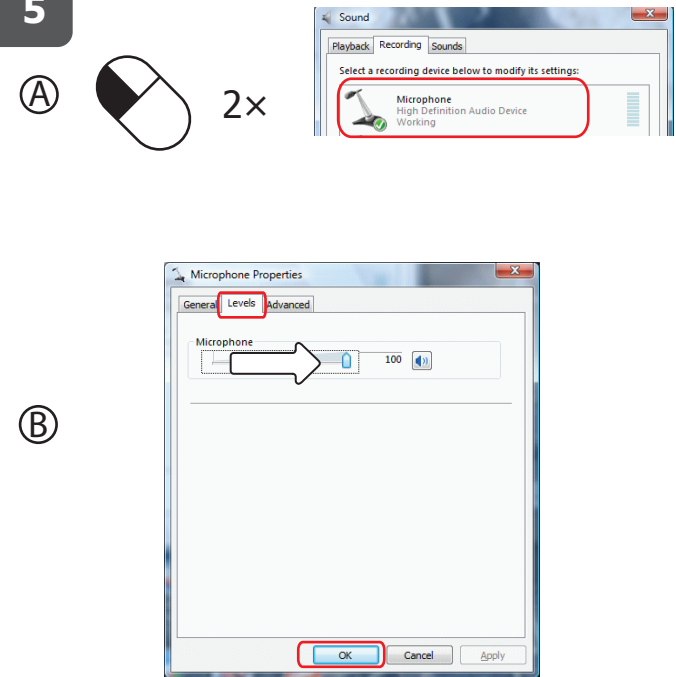


4

Windows 7 / Vista  
Windows XP → 6



5



6

# Windows XP



**Open Volume Control**  
Adjust Audio Properties



7

**Sounds and Audio Devices Properties**

Volume Sounds Audio **Voice** Hardware

Realtek AC97 Audio

Device volume

Low High

Mute  
 Place volume icon in the taskbar

Advanced...

Speaker settings

Use the settings below to change individual speaker volume and other settings.

Speaker Volume... Advanced...

OK Cancel Apply

8

**Sounds and Audio Devices Properties**

Volume Sounds Audio Voice **Hardware**

These settings control volume and advanced options for the voice playback or recording device you selected.

Voice playback

Default device: Realtek AC97 Audio

Volume... Advanced...

Voice recording

Default device: Realtek AC97 Audio

**Volume...** Advanced...

Test hardware...

OK Cancel Apply

9

**Recording Control**

Options Help

Properties  
**Advanced Controls**  
Exit

Microphone

Balance: Volume:

Select

Realtek AC97 Audio

10

**Recording Control**

Options Help

CD Player Line In Microphone

Balance: Volume:  Select

Balance: Volume:  Select

Balance: Volume:  Select

**Advanced**

Realtek AC97 Audio

11

**Advanced Controls for Microphone**

These settings can be used to make fine adjustments to your audio.

Tone Controls

These settings control how the tone of your audio sounds.

Bass: Low High

Treble: Low High

Other Controls

These settings make other changes to how your audio sounds. See your hardware documentation for details.

Mic Boost

**Close**