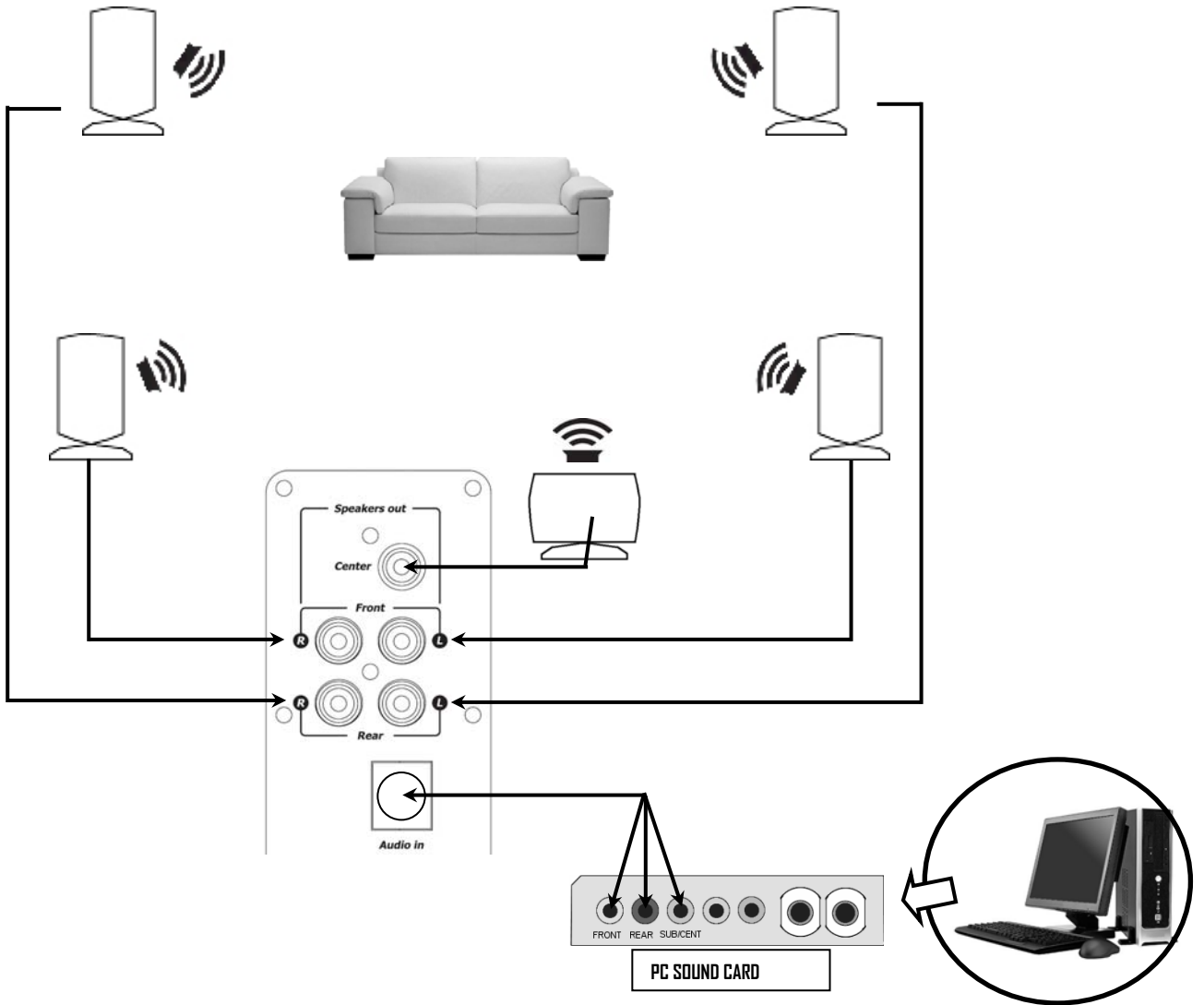




SP-6250K 5.1 Surround Speaker Set

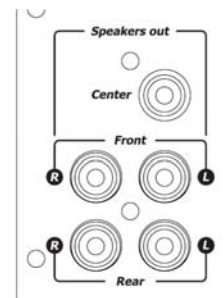
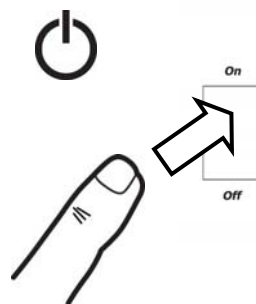
1



2

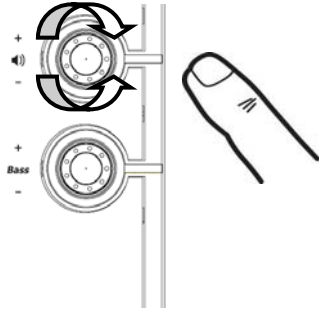


3



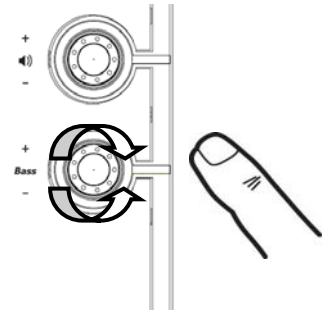
4

Trust



5

Trust



DECLARATION OF CONFORMITY

We, the manufacturer / importer,
Trust International
Laan van Barcelona 600
3317 DD Dordrecht
The Netherlands

Declares that the product
Kind of product : Speaker set
Type designation : SP-6250Z 5.1 Surround Speaker Set
Item No. : 15084 - 15085

Is in compliance with the essential requirements and other relevant provisions of the following directives:

Electromagnetic Compatibility Directive	(89/336/EC)
Low-Voltage Directive	(73/23/EC)

The products is compatible with the following norms / standards:

EN 55022 (Class B)	(1998 + A1:2000 + A2:2003)
EN 55024	(1998 + A1:2001 + A2:2003)
EN 60950	(2000)

Manufacturer/Authorised representative

B. Schrijvers, M.Sc.

Dordrecht, 30-11-2007