

TRUST

WIRELESS ALARM SYSTEM 200N

USER MANUAL

VERSION 1.0

CONTENTS

Chapter 1 BASIC INTRODUCTION	
Standard Package	Page 1
Illustration	4
1.1 Main Unit	5
1.2 Wireless Passive Infra-Red Detector	6
1.3 Wireless Door/Window Magnetic Detector	6
1.4 Remote Control	6
Chapter 2 INSTALLATION	
2.1 Installation of Main Unit	7
2.2 Installation of Remote Control	8
2.3 Installation of Wireless PIR detector	8
2.4 Installation of Wireless Door/window Mag. Detector	9
2.5 Installation of Other accessories	12
Chapter 3 TESTING DETECTORS	
3.1 How to test The Wireless PIR Detector	13
3.2 How to test The Wireless D/W Magnetic Detector	13
Chapter 4 SYSTEM SETTING AND OPERATION	
4.1 Basic Operation	14
4.2 System Reset	15
4.3 Table of System Operation & Resetting	16
■ APPENDIX	
Specification	17
Help Line	17

Chapter 1: BASIC INTRODUCTION

Thank you for your purchase. Register your product via our Internet site at www.trust.com, to get optimal guarantee and service support and to be automatically informed of the development of your product as well as other Trust products.

Thank you for purchasing this WIRELESS ALARM SYSTEM.

The WIRELESS ALARM SYSTEM a DIY system to be installed in homes, offices, warehouses, show rooms etc.

If you wish to expand the system you can add on Wireless Passive Infra-Red Detectors or Wireless Door/Window Magnetic Detectors. You can also add remote controls for other staff or family members.

Apart from the accessories included in our standard package, the following Detectors and Accessories can be connected:

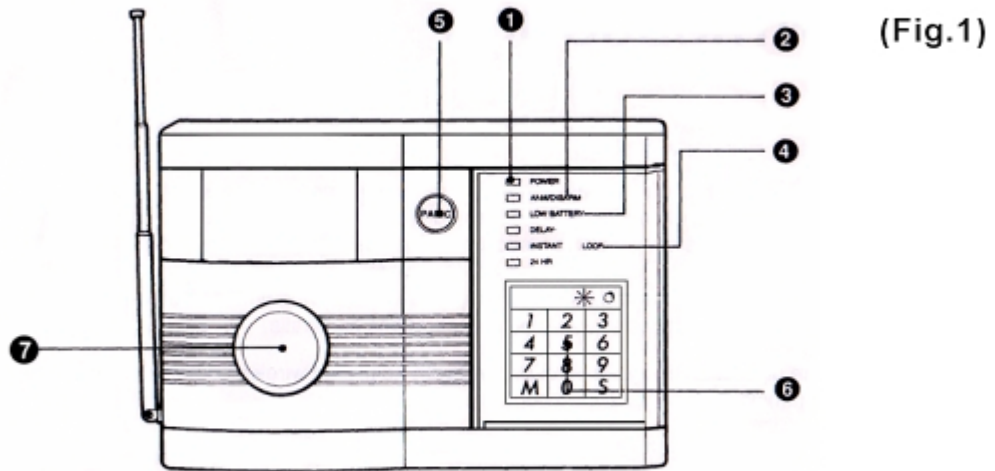
1. **Wireless Smoke detector:** detect smoke caused by fire (option)
2. **Wireless Emergency button:** for urgent help (option)
3. **Wireless Bell box:** for remote, outdoor alarm (option; for this you need to add a Wireless transmitter to the main unit)
4. **Wireless door/window magnetic detector:** alarm will sound when a door/window is opened. Can also be used to warn you that someone is entering your home.

■ **STANDARD PACKAGE:**

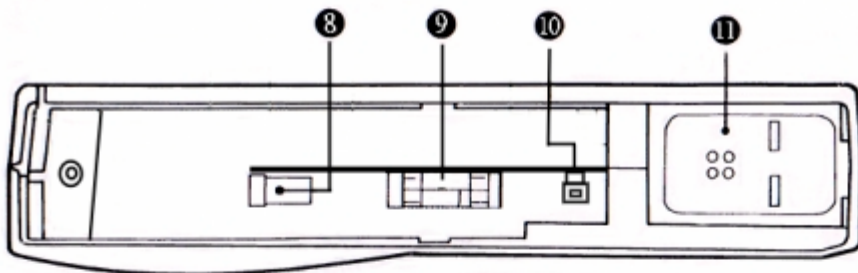
1. Main unit (also named control panel unit)
2. Wireless Passive Infra-Red (PIR) Detector
3. Remote control
4. AC 12V/300mA adapter
5. Instruction manual
6. Fixing screws

Before installation, first gain a thorough understanding of the functions of this alarm system by reading this manual.

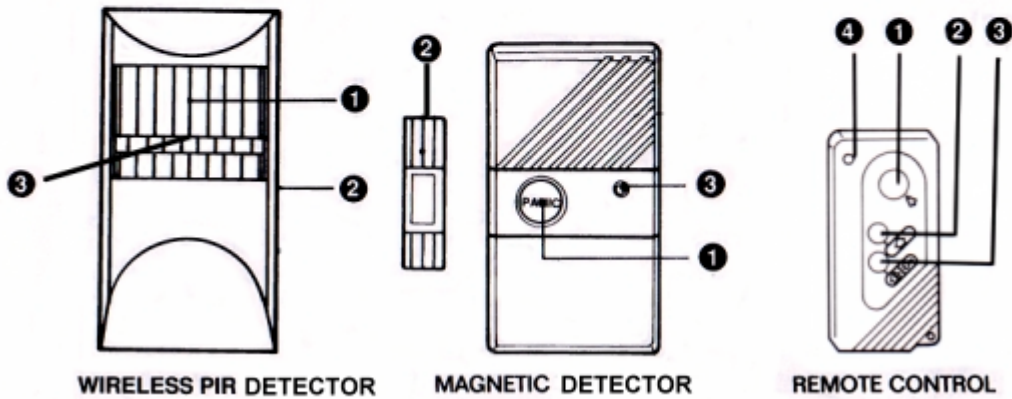
ILLUSTRATION & DESCRIPTION



FRONT PANEL OF MAIN UNIT



TOP PANEL OF MAIN UNIT



WIRELESS PIR DETECTOR

MAGNETIC DETECTOR

REMOTE CONTROL

1.1 MAIN UNIT

1. POWER LED

Indicates the power supplied through AC/DC adapter to the system.

2. ARM/DISARM LED

Indicates that the system is “ON” and the unit is activated. The LED will stop flashing after the main unit has been disarmed.

3. LOW BATTERY LED

Indicates that the batteries of the remote sensor are low. Replace battery.

4. DELAY/INSTANT/24HR LOOP LED

Indicates the loops have been activated. It means that someone has entered the Protected area (INSTANT/DELAY) or that an emergency event has occurred (24HR). The LED will stop flashing after the main unit has been disarmed.

5. EMERGENCY BUTTON

To instantly trigger alarm during an emergency.

6. KEYPAD

To program security code and control the full system.

7. BUILT-IN SIREN

It will sound while triggered.

8. AC ADAPTER INPUT JACK

This jack is for connecting the jack on AC power adapter to the main unit.

9. FUSE

System fuse: 0.3A/250V(5x20mm).

10. TAMPER SWITCH

The system will sound an alarm if the Top Panel (battery cover) is removed.

11. BATTERY COMPARTMENT

To hold rechargeable Ni-Cd AA 1.2V/700mAhx6pcs battery pack (Rechargeable battery not included in standard package).

1.2 WIRELESS PASSIVE INFRA-RED DETECTOR

1. PIR SENSOR

Detects any movement within the protected area.

2. TEST/ON MODE SELECTOR

Slide the selector to “TEST” position when you start testing the detecting range of PIR. Otherwise, keep this switch in ON position.

3. LED LIGHT

In test mode, the interior LED will flash to indicate that movement has been detected.

1.3 WIRELESS DOOR/WINDOW MAGNETIC DETECTOR

1. EMERGENCY BUTTON

In the event of an emergency, press the EMERGENCY button and the Main unit will sound an alarm.

2. MAGNETIC REED CONTACT

Magnetic reed inside. Detects the opening / closing status of the door or window.

3. LED LIGHT

Lights up when an intrusion signal is sent to the main unit (User can open/close the door, window to see LED light of signal just transmitted).

1.4 REMOTE CONTROL

1. EMERGENCY BUTTON (or showed by the ‘bell’ icon)

Press this button to trigger either the indoor main unit or the outdoor sirens. To stop the alarm sound, press DISARM BUTTON any time.

2. FULLY ARM BUTTON (or showed by the ‘house’ icon)

Press this button to arm all detectors. Press again to Disarm. Use this setting function if there is no one in the secured area or house.

After pressing ARM button, LED on main unit and remote control unit will light up.

Then, the main unit will start beeping and the LED will start flashing for 30 seconds.

Finally, the beeps will stop and the LED will remain on to ensure that the whole system has been switched to ARM mode. You may cancel the setting at any time during these 30 seconds by pressing the ARM button or next DISARM button.

3. DISARM BUTTON (or showed by the ‘key’ icon)

This Button serves to LOCK the main unit keypad so nobody will be allowed to unlock and operate the system by using the keypad. Press and hold for 10 beeps and the keypad is locked. Press and hold again for 10 beep sound and keypad unlock.

4. LED light

Illuminates every time a signal is sent to the main unit.

Chapter 2: INSTALLATION

2.1 INSTALLATION OF THE MAIN UNIT

■ TOP PANEL OF MAIN UNIT

1. Remove the top cover by removing the screw and insert AC 12V power jack. Run the AC adapter wire through the slot in the back of the unit and plug into the wall power outlet (as shown in fig.2).

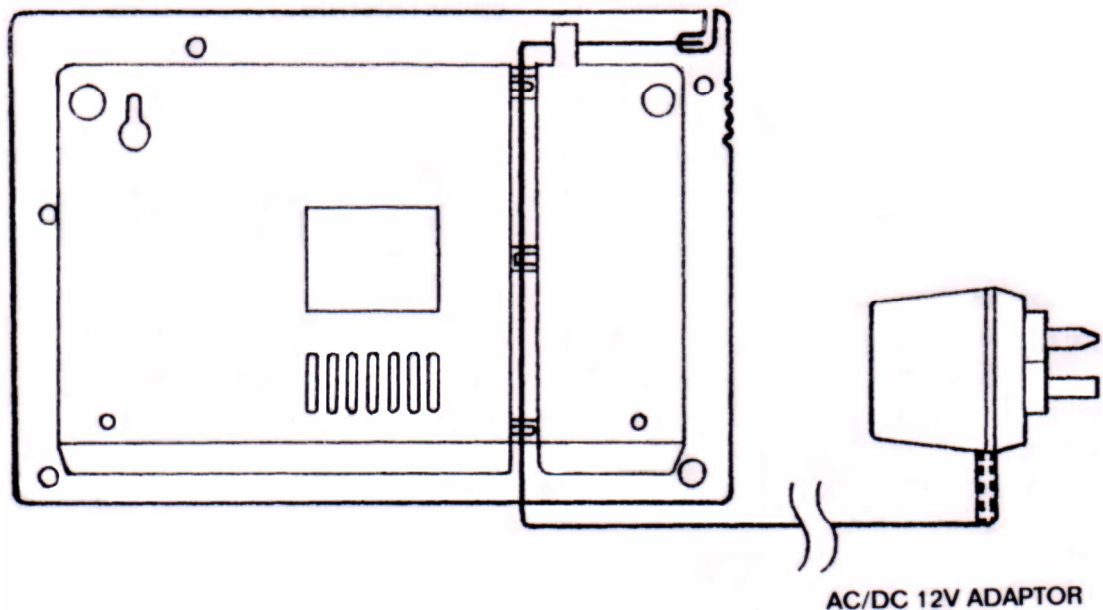


Figure 2

2. Install the backup battery:
Backup battery is only used when AC power stop offering. Connect 6 pcs 1.2V / 700mA rechargeable lead-acid battery pack (As shown in fig.1). Main unit with auto charging function when battery is low (adapter must always be connected).
3. Replaced the top cover and tighten the screw.

■ HOUSE CODE:

1. There is a “8 bits tri-state dip switch “in wireless PIR detector, Door/window magnetic detector and remote control .you can set 8 poles of DIP witch to “+””0”or “- “position as your unique house code. This ensures you that you will have an unique code to prevent interference with other Trust Alarm systems, e.g. from your neighbours. Please refer to the code setting paragraph of detectors’Installation.
2. **This system use wireless, code learning technology.**
Therefore, there is no DIP switch inside the main unit as long as you have identical house codes for the wireless PIR, magnetic detector and remote control. Press the DISARM button of remote control at the front of the main unit. Now, the system will read and store your own house code in its memory.
3. All setup procedures will be completed when the beeps stop and when all LEDs change from FLASH to OFF mode.

■ SETUP AND PROGRAM OF KEYPAD

1. Ensure that all the sensors or accessories (magnetic, PIR, etc.) have been properly installed on their designated zones.
2. Details of Setting and programming method: see chapter 4.
3. Mount the main unit to the location of choice.

■ WHERE TO LOCATE THE MAIN UNIT:

For better reception capacity, the main unit should be mounted between 1.5 to 2 meters above ground floor level. We recommend that you install the main unit NEAR THE MAIN ENTRANCE OF YOUR OFFICE, HOUSE. This will be more convenient in view of meeting the 30 seconds delay when using the keypad to ARM/DISARM the system.

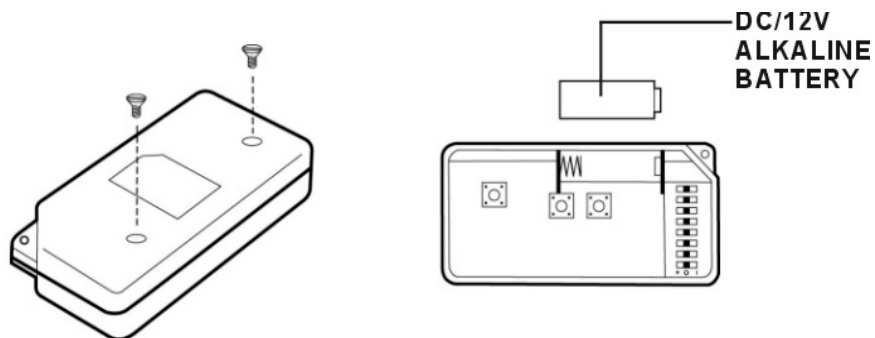
NOTE:

- (1) Before installing the main unit you must first install the accessories. The Door/window magnetic detector and magnetic contact have to be mounted close to each other or no contact will be made.
- (2) Avoid placing electric devices, office machines and metallic devices in close proximity for optimal reception.

2.2 INSTALLATION OF THE REMOTE CONTROL

1. Remove the front cover by loosening the screws on lower cover as shown in fig.3.
2. Place a DC/12V Alkaline battery inside the compartment.
3. Select the unique house code (any combination in '+', '-', or '0' position for 8 bit switch).
4. Put the cover back in place.

(Fig.3)

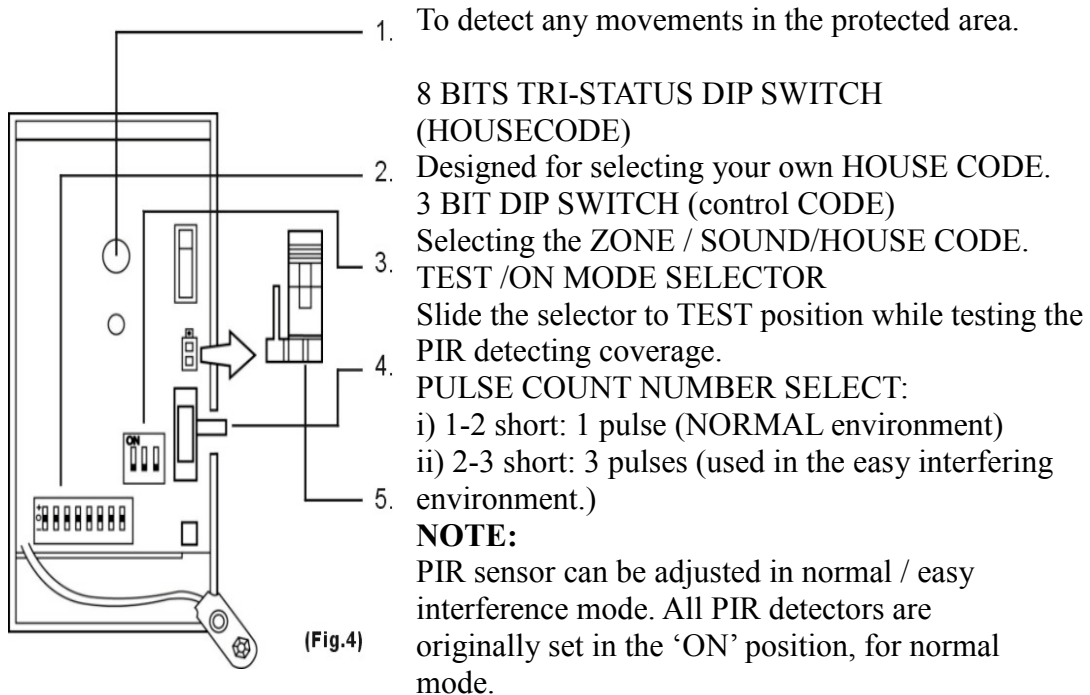


2.3 INSTALLATION OF THE WIRELESS PASSIVE INFRA-RED SENSOR

1. Open the cover by inserting a small screw driver into the edge of the unit and turn slightly to release the front cover.
2. Select your own house code (8 bits tri-status dipswitch).
The house code must be identical to those in the magnetic detectors, PIR detector, remote controls and other wireless accessories.
3. Place 1x DC9V battery (not included in standard packing).
4. Set other control code: (3 bits dip switch).
For the sound under DISARM mode, zone option of Instant alarm / delay alarm.
(please refer to page. 14 control code table for detail).
5. Select a location at about 2.0 meters above the floor to mount the PIR.
6. Fix the back plate into the selected location (or hook into the bracket).
7. Replace the front cover.

Note: please do not touch the infrared sensor after you open the cover.

**Figure 4: ILLUSTRATION OF WIRELESS PASSIVE INFRA-RED SENSOR
PIR SENSOR**



■ IMPORTANT NOTICE:

1. Do not mount outdoors. It is only designed for indoor use.
2. Do not mount in high humidity areas (bathrooms, patios, etc).
3. Do not mount facing windows, or glass doorways.
4. Do not mount facing to strong moving air vents like air conditioners, fans, heaters, etc.
5. Do not mount near high power sources like refrigerator, televisions, motors, etc.
6. Do not mount on or near iron gates or metallic walls.
7. We recommend that you mount it 2.0 meters from the floor.
8. We recommend that you mount it in a corner of a room facing into the house (not facing the windows).

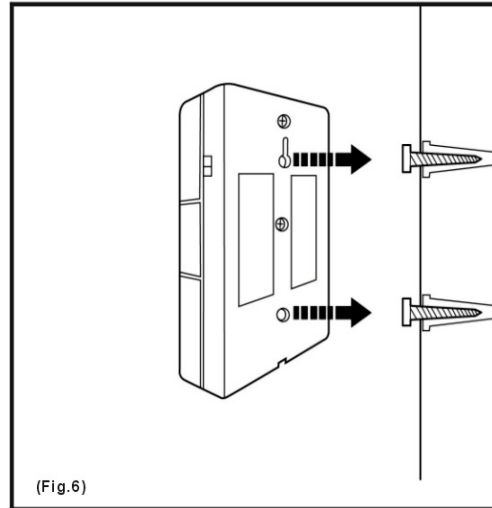
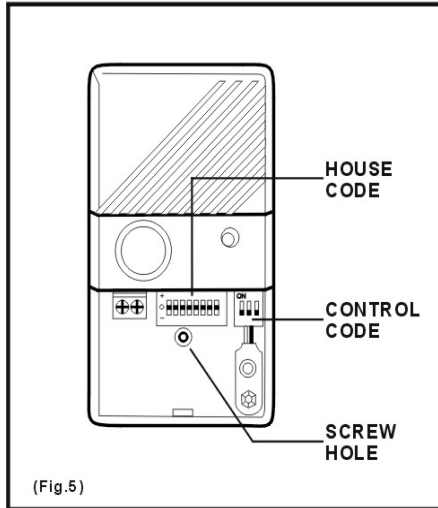
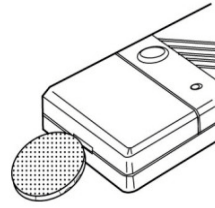
2.4 INSTALLATION OF THE WIRELESS MAGNETIC DETECTOR

Note: This product is not included in the standard package. It is sold separately, this is more to show the possibilities and installation when purchased.

1. Remove the front cover with a coin (see figure next page).
2. Middle: Select the same house code as determined for the PIR and remote control.
3. Right: you can put the DIP switch in the 'on' or 'off' position according to the control code table: as show on page 14.
4. Left: Terminal block. 2 wire lines fixed through the square hole under the case to the extended Magnetic contacts (one unit built in sensor) or breaking glass sensors (see Figure 8 and 9).
5. Place a DC 9V battery into the battery compartment.
6. Mount the magnetic detector on the location of choice (DOOR or WINDOW).

NOTE: 1. Don't mount the magnetic detector directly on an iron gate or metallic wall to avoid reducing the transmission range.

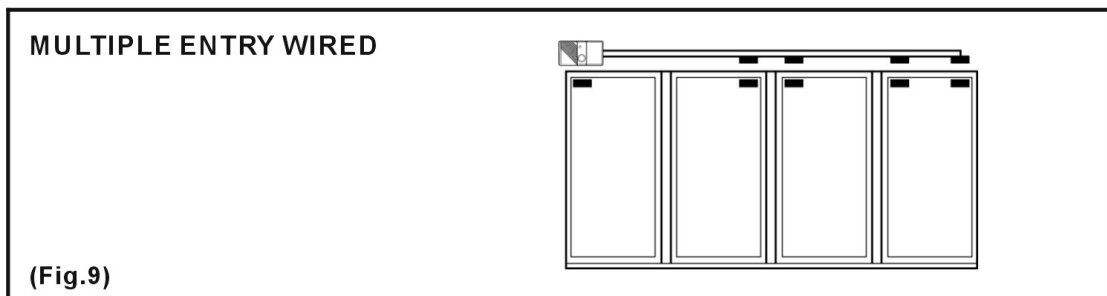
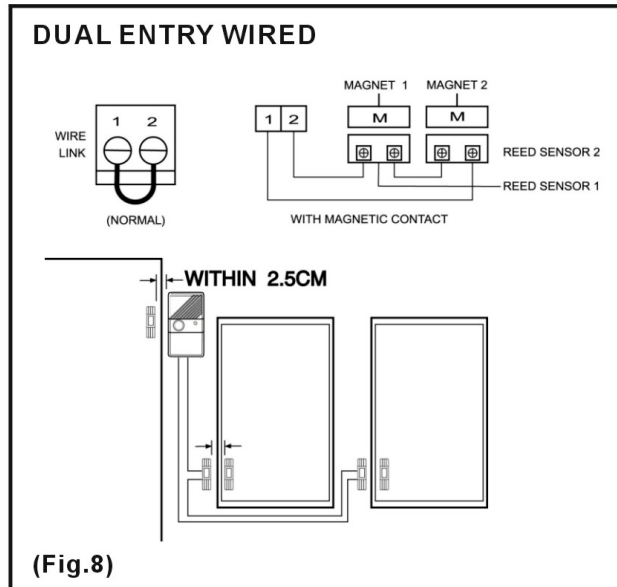
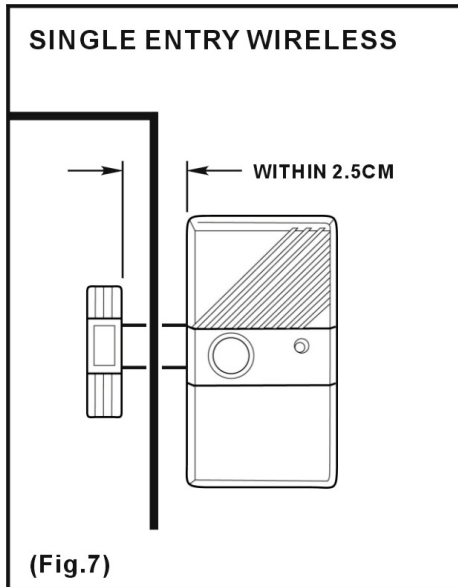
2. The magnetic contact should always be installed to the left of magnetic detector and in the moving part of the window / door.



(Fig. 5) (Fig. 6)

■ **CONNECTION OF MAGNETIC DETECTOR AND OTHERS SENSORS**

This magnetic detector was designed designed to cope with many installation requirements. It can be used for any of the following installations.



- A. When you want to protect a SINGLE ENTRY (door or window) only, you may use the magnetic contact provided as shown in fig.7 (completely wireless).
- B. When you have a DOOR and a WINDOW on the same wall and they are close to each other, for saving cost, you may use optional Magnetic contact sensors which are to be terminal 1&2 inside the cabinet as shown in fig. 8 & 9 (Take out the wire link).
- C. More Magnetic Contacts (sensor) can be bought from your supplier.
- D. Breaking glass sensor:
You attach multiple magnetic contact sensors and breaking glass sensors serially to terminal block in Wireless detector (see fig. 8 & 9).

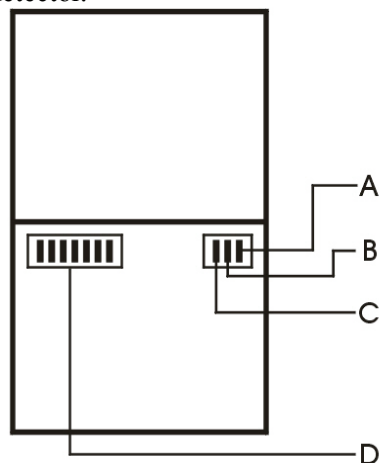
■ **Setting the zone (see Control Code Table, switch C)**

There are 3 zones (loop / function type) in this system: 24HR zone, Instant zone and Delay zone.

- 24HR zone: For public safety concern. Smoke, Heat, Gas detector always put in this zone for 24 hours ARM.
No house code setting on these accessories.
- Instant zone: In case of an incident the detector is triggered, and the main unit will sound an alarm immediately.
- Delay zone:
 - (1) In case of an incident the detector is triggered, and the main unit will sound an alarm after 30 seconds.
 - (2) When you leave house / room, press ARM button on remote control or keypad on control panel. The system will change to ARM mode 30 seconds later. This function will leave you sufficient lead time before

you leave the room and close the door.

You can assign a zone code to any wireless accessory. Thus, you can see immediately in which zone there has been an incident on the LED / main unit (control panel). See the table below for the possible zone settings with the 3-point DIP switch of the PIR detector and magnetic detector.



< Fig 10: Control Code Table >

Switch	Function	Description	
A		Up (ON)	No use
		Down (OFF)	No use
B	Sound	Up (ON)	Used under DISARM mode only: When there is a signal from the PIR detector or magnetic detector, a two-tone beep will sound from the Main unit to alert you that someone is entering the room. * This sound feels comfortable to the user. It can be treated as a Door Chime, Window chime feature.
		Down (OFF)	Sound off.
C	Zone	Up (ON) Delay	On and off switching of delay zone (fixed 30 seconds delay; cannot be changed).
		Down (OFF) Instant	Immediate activation.
D	House code	Unique house code. Make sure the settings of the 8-point DIPswitch of all your wireless components with same house code.	

NOTE:

1. Make sure all change of the control codes meet your requirements.
 - Initial setting of these control codes:
 - 3-point DIPswitch: set on “OFF” position.
 - 8 bits tri-state dip switch: House code set on “00000000” position.
2. You may stick the labels indicating the CONTROL CODE to the side of each detector.
3. Caution is advised when setting the control code and verifying it in the Test mode.

■ Door Chime / Window Chime function:

Wireless Door/Window Magnetic detector can installed as a door chime device. PIR Detector also with this kind application. For view angle, motion detection area concern, please install and test it carefully.

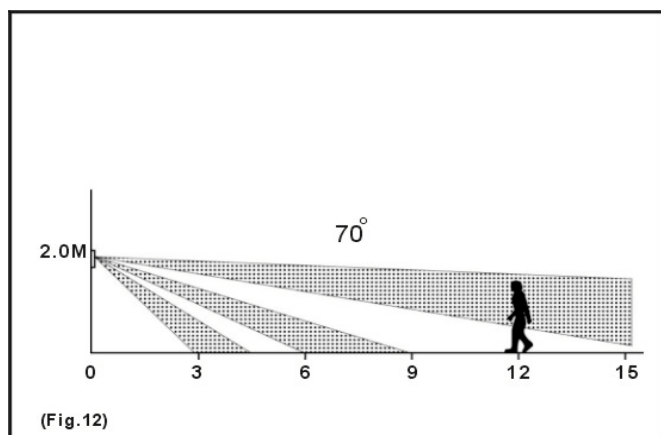
2.5 INSTALLATION OF OTHER ACCESSORIES

When purchasing other products like wireless smoke detector, emergency button please refer to the manual inside the package.

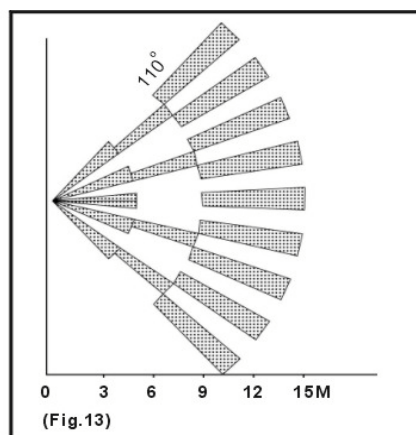
Chapter 3: TESTING DETECTORS

3.1 HOW TO TEST WIRELESS PASSIVE INFRA-RED DETECTOR

1. Make sure that the “HOUSE CODE” corresponds to that of the main unit.
2. Set the TEST/ON switch to “TEST” position.
3. Allow 1 to 3 minutes for the PIR to become acclimatized.
4. Main unit under DISARM mode:
Then, set the main unit in TEST mode (press keypad: **M 0 2 S**) (ARM/DISARM led flash, 6 beeps sound).
5. Walk into the protected area across the PIR beam at a rate of 1 step per second and observe the red LED in PIR detector. The LED will light up whenever you enter or exit the protecting beam. You will hear beeps from the main unit and the zone LED will light up within the defined zone (The red LED inside of the PIR lens, can light up only in the TEST mode).
6. Adjust the PIR protecting coverage length according to the actual requirement. Maximum length is 12-15 meters and minimum length is 3-5 meters (fig. 12 & 13).
7. In test mode, the PIR sensor need 10 seconds to accept the next motion detection after an alarm signal has been sent back to main unit. Therefore, please wait and trigger the PIR detector every 10 seconds if you want to test it.
8. If the WALK TEST among PIR detection (or wireless magnetic detector) and main unit are not to your satisfaction, you should relocate the position or adjust the view angle of PIR detector.
9. After completion of “WALK TEST”, both of main unit and PIR detector should back to DISARM, “ON” mode:
(9.1) PIR detector: Move TEST/ON switch back to “ON” position.
(9.2) Main Unit: Press any key on Keypad of main unit. →back to DISARM mode.
Now, the wireless PIR sensor is in full function but the red LED will not light up.



SIDE VIEW



TOP VIEW

3.2 HOW TO TEST WIRELESS DOOR/WINDOW MAGNETIC DETECTOR

1. Make sure that the “HOUSE CODE” is corresponding with that of the main unit.
2. Main unit under DISARM mode.
Then, set the main unit in TEST mode (press keypad: **M 0 2 S**) (ARM/DISARM led flash, 6 beeps sound).
3. Trigger the magnetic detector by opening / closing door or window. If the main unit beeps as a result of the triggering and the zoned LED of main unit will light up in the designated zone, the magnetic detector is operating properly.
4. Press “PANIC”, main unit will beep.
5. Exit the main unit from the test mode to DISARM mode (press keypad: **any key**).

Chapter 4: SYSTEM SETTING & OPERATION

4.1 BASIC OPERATION

All setting related operation under DISARM mode.

■ HOW TO PROGRAM SECURITY CODE OF KEYPAD

1. Press **M**
2. Enter your security code (at least 1 digitals, 8 digital max).
Press **M**
You will hear 6 beeps to confirm the setup was done correctly.
3. For EXAMPLE: The security code you want to setup is 1 2 3 4
M 1 2 3 4 M
4. You can set security code “0” to “9999 9999”.
If you ignore this function, keypad may be pressed randomly by someone to disarm the System.

■ HOW TO CHANGE TO A NEW SECURITY CODE

1. Enter your original security code
2. Press **M**
3. Enter the new security code
4. Press **M**
You will hear 6 beeps to confirm the setup was done correctly.
5. FOR EXAMPLE: The new security code you want to setup is 5 6 7 8
1 2 3 4 M 5 6 7 8 M

■ HOW TO ARM THE SYSTEM WITH KEYPAD

1. Enter your security code
2. Press **S**
You will hear 6 beeps to confirm the ARM setup was done correctly.
3. FOR EXAMPLE: The security code is 5 6 7 8
5 6 7 8 S

■ HOW TO DISARM THE SYSTEM WITH KEYPAD

Same as ARM mode setting.

1. Enter your security code
2. Press **S**
You will hear 6 beeps to confirm the DISARM setup was done correctly.
3. FOR EXAMPLE: The security code is 5 6 7 8
5 6 7 8 S

■ HOW TO SETUP KEYPAD LOCK

1. Enter your security code
2. Press **M**
3. Press **3**
You will hear 6 beeps to confirm the keypad LOCK setup was done correctly.
Then, any key on keypad can't be used.
4. FOR EXAMPLE: If the security code you have setup is 1 2 3 4
1 2 3 4 M 3

■ HOW TO SETUP KEYPAD UNLOCK

Press and hold remote control's DISARM button over 10 beeps sound.
(It can only UNLOCK through your remote control)

You will hear 6 beeps to confirm the keypad UNLOCK setup was done correctly.

■ HOW TO OPERATE THE SYSTEM WITH REMOTE CONTROL

(Please refer to page 6 item 1.4)

■ HOW TO DISABLE ALARM FOR CHANGING BATTERY

1. When you notice the low battery LED and the zone LED is lit this means that the battery of the detector in that specific zone is low (It may be that the LED of several zones are lit at the same time).
2. How to find the right detector with low battery problem:
 - * If one detector has been triggered in the recent days, please replace that detector's battery immediately (After replacement, you may or may not see the low battery LED light up again.).
 - * If there has not been an incident over at least the past 6 months, it is best to replace the battery in all detectors.
 - * If you have a **power multi meter**, it will be easy to check battery status one by one.
3. Press **M 0 0 S**.
You will hear 6 beeps to confirm the setup of changing battery was done correctly. It means all tamper alarm signals sent to main unit will not cause loud beeping. Low battery LED will always flash now. The specified Zone LED will remain lit.
4. Open the cover of wireless detector → replace battery → cover the case.
5. Press any key on keypad (or press DISARM key on remote control). You can see the low battery LED is off.
6. System back to DISARM mode (Press DISARM key of remote control, the LED of zone will go off).

4.2 SYSTEM RESET

1. Press **M 0 0 S**
2. Remove top panel on main unit. Remove all batteries and AC power adapter.
3. Press and hold " **M** " key on main unit (you must press the key and don't release it till you are requested to release it. See following description.).
4. Power up main unit power supply (either battery or AC power adapter).
5. All LEDs turn "ON".
6. Release your finger on " **M** " key.
7. All LEDs blink. It means all RESET procedures have been completed.
8. Press DISARM key on remote control to have main unit learn the house code, then all LED's will be turned off (only power LED and 24HR LED are on) and 6 beeps will sound.
9. Replace top panel.
10. Press DISARM key on remote control to clean 24HR LED.

■ TABLE OF SYSTEM OPERATION & RESETTING

(Next Page)

TABLE OF SYSTEM OPERATION & RESETTING

Setting up programs	Default	Operation Procedure	Remarks Beep Sound	Beeps sound
Setup Security Code	None	[M] [1 2 3 4] [M] (1 ~ 8 digital)	Setting the first security code (4 digits): After entering the code you will hear 6 beeps as a confirmation (1 2 3 4 =Example of your setup security code).	Setup Correctly : 6 Beeps
Change Security Code	None	[1 2 3 4] [M] [New Code] [M]	Changing the security code: After entering the code , you will hear 6 beeps as a confirmation.	Setup Correctly : 6 Beeps
Setup Arm/Disarm	None	1 2 3 4 [S]	Repeat to Disarm mode.	Arm / Disarm : 6/2 Beeps
Setup Key Lock	None	1 2 3 4 [M] [3] [S]	Can only UNLOCK again by pressing remote control's DISARM/LOCK button over 10 beeps.	Lock / Unlock : 6/2 Beeps
Setup Magnetic Status Mode	On	1 2 3 4 [M] [5] [1] [S]	The system can enter into ARM mode without detecting magnetic status.	Setup Correctly : 6 Beeps
		1 2 3 4 [M] [5] [0] [S]	The system can not enter into ARM mode if a door /window is not properly closed. Reset magnetic status.	
Setup Door Chime On/Off	On	1 2 3 4 [M] [6] [1] [S]	Sound on. When there is a signal from the motion detector or magnetic contact, the alarm will sound a two-tone beep.	Setup Correctly : 6 Beeps
		1 2 3 4 [M] [6] [0] [S]	Sound off.	
Set Delay Time	30 Sec	1 2 3 4 [M] [8] [0 ~ 999]	Time = 1 to 999 Seconds	Setup Correctly : 6 Beeps
Set Alarm Time	60 Sec	1 2 3 4 [M] [9] [1 ~ 999]	Time = 1 to 999 Seconds	Setup Correctly : 6 Beeps
Disable Alarm For Change Battery	Off	[M] [0] [0] [S]	Disarm the system when change Battery (Both for Main Unit and accessories).	On/Off : 6 / 6 Beeps
Clear Low Battery Led	Off	[M] [0] [1] [S]	Clear Low battery led, when Low battery led light.	On/Off : 6 / 6 Beeps
Set Test Mode	Off	[M] [0] [2] [S]	For all accessories (PIR or magnetic).	On/Off : 6 / 6 Beeps
Panic	60sec	[S] Press over 2 seconds	To trigger alarm for emergency.	Panic Correctly : 1 Beep

APPENDIX: SPECIFICATIONS

Based on standard package:

Include main unit (control panel), Wireless Magnetic detector, Wireless PIR detector, remote Control.

SPECIFICATIONS

Main Unit (Control panel)	
Transmission frequency	433.92MHz
House code	2187 selectable codes
Transmission range	50 meters in a free area without obstacles or interference
Operating voltage	7.2-12VDC
Electricity consumption when in use	Internal 250mA(max.); with Ni-CD batteries.
Electricity consumption in rest position	35mA(max)
Operation temperature	0□ to +40□
Power adapter	240VAC – 12VAC / 0.3AH
Possible back-up batteries	6x1.2V/700mAH rechargeable Ni-CD batteries
Dimension (LxWxH)	210 x 140 x 45mm
Weight	450g (without batteries)

Wireless Door/Window magnetic Detector	
Power voltage	1x 9VDC battery
Power consumption in rest position	5μA
Power consumption when transmitting	8.8mA

Wireless PIR motion detector	
Power adapter	1x 9VDC battery
Power consumption in rest position	32μA
Power consumption during use	7.8mA

Remote control	
Power voltage	1x 12VDC alkaline battery
Power consumption in rest position	1 μA
Power consumption when transmitting	9.5mA

HELP LINE

Q1: What is the PURPOSE OF the house code?

ANS: The house code is used to give your system (main unit and all wireless accessories) the same ID code. This code is unique, and you choose it. Therefore, it will not interfere with any other system or suffer interference caused by other systems in the proximity even if they share the same frequency or are of the same model.

Q2: Why are there no LEDs lighting up and no beeps when I turn on the main unit power?

ANS: You have to check the following step by step.

1. Remove the power adapter from AC outlet.
2. Make sure the electric outlet in main unit is working.
3. Check whether fuse installed inside the main unit is O.K. or blown.
4. Confirm backup battery in battery box with the right polarity.

After you check above procedures, plug in the power adapter again.

If this unit still with power on problem, call for service or return it for service.

Q3: Why are all LED's on the control panel flashing?

ANS: For first power up reset, all LED's are blinking (power LED is always on). This means that the main unit is ready to learn the house code, and it will be turned off right after code learning.

Q4: Why doesn't the keypad operate properly?

ANS: You have to use the remote control to lock / unlock your keypad. KEYPAD LOCK is a special function we offer to avoid your setting being changed by someone else. After the keypad is locked, you can unlock it by press remote control only.

Q5: Why the transmit range between the control unit and wireless accessory isn't long enough as I expected after my installation?

ANS: Without the support of wireless extender, this system is designed for in house operation. If more obstacles are blocking the transmission from room to room, the effective distance will be lower than 50 meters. Secondly, you should reposition the main unit and the accessories to improve the transmission distance. The control unit has to be kept at least 3 meters away from metallic objects or electronic appliances, such as refrigerators, fans, air conditioners, etc. to avoid interference.

Q6: Will my cat or dog set off the PIR movement detectors?

ANS: Yes, they can. However, it is possible to provide a "PET ALLEY FUNCTION" by covering the lower half of PIR lens with white insulating tape. This will prevent the PIR from looking down at the ground, but it will reduce the PIR effectiveness.

Q7: Can I install more than one PIR detector on one zone?

ANS: Yes, you can do it. But, you have to avoid any cross coverage among them. Otherwise, that overlay coverage becomes a not well protected area. Under most circumstance, it is enough to use one PIR to cover a room or a section. (In security field, "zone" means a function group. We can group many detectors in one "Delay" zone even they are installed in different rooms.

Q8: Can I install a PIR movement detector outdoors?

ANS: The PIR sensor is very sensitive to temperature variation. In order to avoid false alarm, we suggest not install PIR detector outdoors.

Q9: How many remote controls, magnetic detector or PIR detectors I can use within the system and in one zone?

ANS: You can use as many detectors as you like within the system or in one zone. But for more than one PIR detector on one room, please refer (Q7).

Q10: Should I recharge these rechargeable batteries before fitting them into the control Panel?

ANS: No. Your control panel automatically keeps your backup batteries charged. Power adapter always plug to the wall / electric outlet.

Q11: If electric power fails, how long does the battery backup keep the system powered?

ANS: Approximately 24 HRS.

If your question is not included in the above list or if you are unable to solve a problem using this manual please consult our helpdesk. Below you will find the opening times and phone numbers.

www.trust.com	
Residents in the UK and Ireland should contact:	
	UK Office
From	Phone +44-(0)0845-6090036
8:00 - 16:00	Fax +44-(0)1376-514633
I residenti in Italia possono contattare:	
	Ufficio italiano
Orario:	Telefono +39-051-6635947
9:00 - 13:00 /	Fax +39-051-6635843
14:00 -18:00	
Les habitants de la France et de l'Afrique du Nord peuvent contacter:	
	Bureau français
De	Téléphone +33-(0)825-083080
9:00 à 17:00	Fax +33-(0)1-48630261
Kontaktadresse für Einwohner Deutschlands:	
	Deutsche Geschäftsstelle
Erreichbar:	Telefon 0800-00TRUST (0800-0087878)
9:00 - 17:00	Fax +44-(0)2821-58873
Los habitantes de España pueden ponerse en contacto con:	
	Oficina española
De las	Teléfono +34-(0)902-160937
9:00 a las	Fax +31-(0)78-6543299
17:00 horas	
Inwoners van Nederland kunnen contact opnemen met:	
	Kantoor Nederland
Van	Telefoon 0800-BELTRUST (0800-23587878)
9:00 - 17:00	Fax +31-(0)78-6543299
uur	
All other countries / Alle anderen Länder / Tous les autres pays Tutti gli altri paesi / Todos los demás países / Alle andere landen	
	European Head Office
From:	Phone +31-(0)78-6549999
9:00 - 17:00	Fax +31-(0)78-6543299