



# TRUST WIRELESS VIDEO & DVD VIEWER

User's Manual

Version 1.0

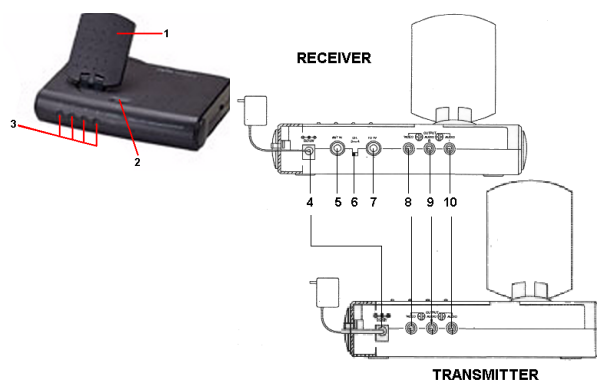
## 1. Package contents

Please check the contents of the package. It should contain the following:

1. Transmitter
2. Receiver
3. Power adapter (2 pieces)
4. Audio Video cable (2 pieces)

If anything is missing or damaged, please contact one of the Trust Care Centres. You can find more information at the back of this installation manual.

## 2. Features



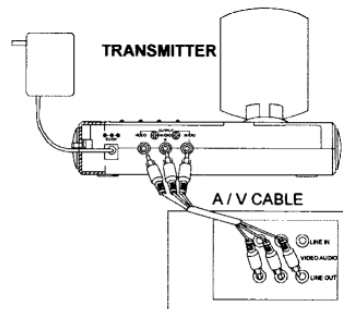
1	Directional 2.4 GHz antenna
2	Channel selection button
3	Channel indicator LED
4	Power input (12V DC)
5	ANT input (connect to TV antenna or other RF source)
6	Channel 3 / 4 switch
7	RF output (connect to TV)
8	Video output ( yellow )
9	Right audio output (red)
10	Left audio output (white)

### 3. Notes for installing

1. This system is a wireless communication product. The installation location should have no blockage to avoid interfering with transmission and reception. The distance between sender and receiver must be greater than 5 meters to have every sender transmit its best signal strength.
2. Transmitter and receiver in this system are for indoor use only. Avoid outdoor installation because moisture may get inside this system.
3. After installation, if the picture is not clear or the picture is rolling, then the Transmitter location may exceed the effective transmission distance. Please move or change the Transmitter location.
4. The AC adapter, which comes with this system, should not be plugged into the same wall outlet with other appliances to reduce interference probability.

**GB**

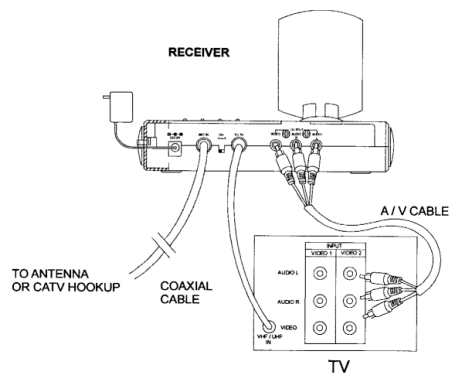
### 4. Connecting the transmitter



1. Connect the A / V cable to the A / V input jacks of the transmitter and to the LINE OUT of your input device. (for example VCR, Camcorder, etc.) Be sure the colour must match on both the transmitter and output device. If the output device has only one output for audio (mono sound only), connect the white plug to that single Audio output and to the transmitter's Audio left input jack.
2. Plug one of the power adapter into the power input jack of the transmitter and into any 230V~ wall outlet. Use only the adapter provided.

**NOTE:** Make sure the ON / OFF switch is in the OFF position, before plug into 230V~ wall outlet

## 5. Connecting the receiver



1. If the TV has A / V input jacks, connect the A / V cable to the receiver's A / V output jacks and to the TV's A / V input jacks.  
Be sure the colour must match on both the receiver and the TV.  
If the TV has only one audio input jack, connect the white plug to that jack.
2. If the TV has only coaxial input (UHF / VHF IN), connect the coaxial cable from it to the TO TV of the receiver, and connect the antenna input or CATV input to the ANT. IN of the receiver, set the channel switch on the back of the receiver to channel 3 or channel 4. Then tune the TV to that channel.
3. If the receiver power is ON the " TO TV " signal is form the receiver and the " ANT. IN " signal is cut OFF. If the receiver power is OFF the " TO TV " signal is from the " ANT. IN ".
4. Plug the second power adapter into the power input jack of the receiver and into the 230V~ wall outlet. Use only the adapter provided.

**NOTE:** *Make sure the ON / OFF switch is in the OFF position, before plug into 230V~ wall outlet.*

## 6. Specifications



### 6.1 Transmitter

VIDEO INPUT	: RCA JACK, 1Vp-p STD
AUDIO INPUT	: RCA JACK, 1Vp-p STD
TRANSMITTING FREQUENCY	: 2.4 ~ 2.4875 GHz
FREQUENCY STABILITY	: $\pm 0.005\%$
MODULATION	: FM (AUDIO & VIDEO)
CHANNEL NUMBER	: 4@ 18 MHz / CH
RF OUTPUT LEVEL	: 110dB $\mu$ V / METER
CLEAR LINE-OF-SIGHT RANGE	: 300 ft Max (approx. 100M)STD
POWER SOURCE	: 230V~ / 12V DC, 500 mA ADAPTOR
DIMENSION	: 123 x 180 x 38 mm
WEIGHT	: 200 g

### 6.2 Receiver

VIDEO OUTPUT	: RCA JACK, 1Vp-p STD
AUDIO OUTPUT	: RCA JACK, 1Vp-p STD
RECEIVING FREQUENCY	: 2.4 ~ 2.4875 GHz
FREQUENCY STABILITY	: $\pm 0.005\%$
MODULATION	: FM (AUDIO & VIDEO)
CHANNEL NUMBER	: 4@ 18 MHz / CH
RF OUTPUT LEVEL	: 65 $\pm$ 5dB $\mu$ V, CH.3 / 4 (PAL B / G) (SWITCHABLE)
RECEIVER SENSITIVITY	: $\leq -45$ dBm
INSERTION LOSS	: ANT. IN-TO TV 6dB Min.
POWER SOURCE	: 230V~ / 12V DC, 500 mA ADAPTOR
DIMENSION	: 123 x 180 x 38 mm
WEIGHT	: 200 g

## 7. Troubleshooting

Check the FAQ's on the Internet ([www.trust.com](http://www.trust.com)). You can also register your product at [www.trust.com](http://www.trust.com) so that you are able to receive optimal guarantee and service support. You will be automatically informed of developments to your product and of other Trust products. You will also have the chance to win some spectacular prizes.

If you still have any problems after trying these solutions, please contact one of the Trust Customer Care Centres. You can find more information at the back of this instruction manual. Please have the following information available:

- The article number. This is: 12192 (12191 for UK version).
- Your hardware information.
- A good description of what precisely does not work.
- A good description of when the problem precisely takes place.