

Soundforce 1200

ENGLISH

Soundforce 1200

User's Manual

Version 1.0

Soundforce 1200

Blank Page

Copyright

Without the written consent of the manufacturer it is prohibited to reproduce or transfer any part of this manual in any format, either electronically or mechanically, as photocopy or recording, in information or search systems other than for personal use by the purchaser.

ENGLISH

Liability

The manufacturer accepts no liability for any explicit or implicit guarantees, including but not limited to the guarantees for saleability and suitability pertaining to a given objective with respect to the software, the enclosed product manual or manuals and written documentation and all other hardware included. The manufacturer reserves the right to modify or improve its product without prior warning or acknowledgement of any kind to third parties.

The manufacturer accepts no liability for any ensuing or accidental damages, including damages resulting in any form of business or commercial forfeiture on the strength of use of the product.

All company and product names are trademarks or registered trademarks of the relevant owners.

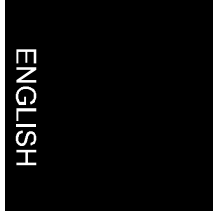
01SF1200-UK.DOC

Soundforce 1200

Blank Page

Contents

1. Introduction.....	1
2. Safety First.....	2
3. Connection.....	3
4. Operation	4
5. Troubleshooting	5
Appendix A: Technical Specifications	7



Soundforce 1200

Blank Page

1. Introduction

This user's manual is intended for users of the Soundforce 1200 speaker system. These speakers are designed for use in combination with a multimedia computer system. No specific prior knowledge is needed to install and use the Soundforce 1200 system.

This user's manual uses the layout directly below to give important information:

Note: *The disk should not be formatted.*

ENGLISH

2. Safety First

Please read the following instructions carefully:

1. Remove the plugs from the sockets before cleaning the speakers. Do not use liquid cleaning agents or spray cans. Wipe off the speakers with a damp cloth.
2. Do not use the speakers near water, for example, near a bathtub, washbowl, a kitchen sink or wash basin, in a damp cellar, at a swimming pool etc.
3. Make sure there is nothing on the power cable. Do not place the speakers in a place where the cable can be subject to wear or can be damaged by persons treading on it.
4. Never insert any object into one of the slots in the housing of the speaker as this object may touch dangerous live components or parts, which could result in a fire or an electric shock.
5. Never attempt to repair the speakers yourself. If you open or remove the housing, you may come into contact with high-voltage components or face other hazards. The speakers should only be serviced by specially trained personnel.
6. Remove the plug from the socket under the following conditions, and have the speakers repaired by specially trained personnel:
 - a) the cable or the plug has been damaged or worn;
 - b) liquid has been spilled into the speakers;
 - c) the speakers have been exposed to rain or water;
 - d) the speakers are not operating normally;
 - e) the speakers have been dropped or the housing is damaged;
 - f) the speakers are clearly performing poorly.

3. Connection

The speakers are easy to connect since all cables are supplied. Follow the instructions as shown in Figure 1.

With most computers the best sound is delivered by using your computer's "LINE-OUT" output. If your computer does not have a "LINE-OUT" output or if the sound is too poor, use the "SPEAK" output.

ENGLISH

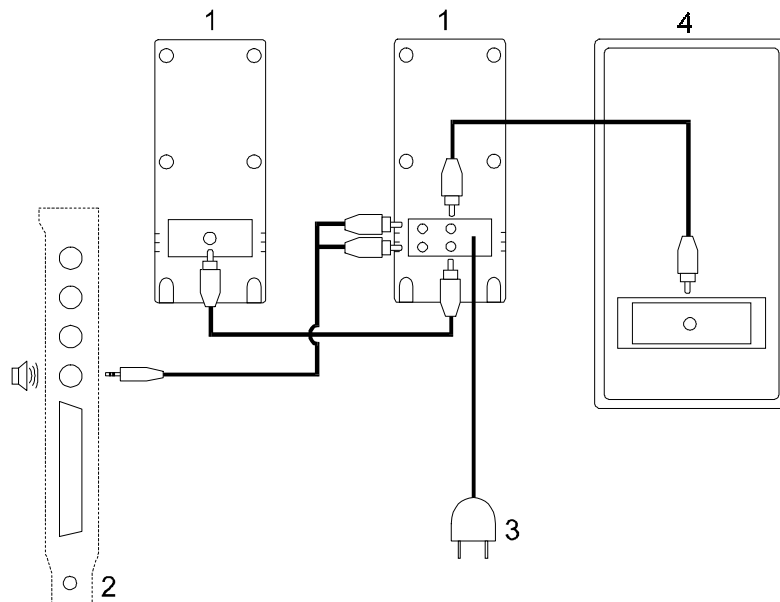


Figure 1. Connecting the Soundforce 1200 speakers to your computer's sound card

Key to numbers:

1. Speakers
2. Your computer's sound card (may differ from this in appearance)
3. Power-supply cord
4. Speaker for low-frequency sound (sub woofer)

4. Operation

Warning: *First turn the volume control to a low setting before you switch the Soundforce speakers on. Switching on at too high a volume can cause damage to your hearing.*

1. Switch the speakers on. The on/off lamp lights up.
2. Have your computer produce some sound (for example, by playing a CD).
3. Adjust the sound using the following controls:
 - a) Volume control
 - b) Bass control (amount of low-frequency sound)
 - c) Treble control (amount of high-frequency sound)
 - d) 3D control (increases the stereo effect of the sound, particularly useful if the speakers are positioned close to each other).
4. In the event of any problems with the speakers consult Chapter 5 (Troubleshooting).
5. There is a connection on the front for headphones. Any headphones with a 3.5 mm jack plug can be connected to this. If headphones are plugged in, sound reproduction via the speakers is blocked.

5. Troubleshooting

The table below is intended to enable you to find a simple remedy for possible problems with the Soundforce 1200 speakers.

If you are unable to solve the problem, contact the Trust Helpdesk or your dealer.

ENGLISH

Problem	Possible cause	Solution
No sound is coming out of the speakers.	The plug is not in the socket.	Insert the plug (firmly) into the socket.
	The On/off control is set to 'Off'.	Turn control to 'On'. The lamp must light up.
	The volume is set at a minimum.	Turn up the volume control.
	The cable is connected to the wrong connection of your sound card.	Connect the speakers to the SPEAK or LINE-OUT output of your computer, not to MIC (= microphone) or LINE-IN.
	The computer is not making any sound.	Have your computer produce some sound. Try connecting the speakers to the headphone output socket of the CD-ROM drive, to test whether the speakers are working and are correctly set up.
	The headphones are plugged in to the front of the speakers.	Remove the headphones.

Soundforce 1200

Problem	Possible cause	Solution
The sound coming from the speakers is of poor quality.	The controls are incorrectly set.	Adjust the Bass, Treble and Volume controls as required.
	3D switched on in both the computer and the speakers.	Use either the 3D function of your computer or of the Soundforce speakers, but not both.
	The volume on the computer is set much too high.	Adjust the volume on your computer (see computer user's manual).
	The cable connections are wrong.	Refer to Fig. 1 to connect the speakers properly.

Appendix A: Technical Specifications

- PMPO power 400 watts (2 x 5 + 20 watts RMS)
- Magnetically shielded for safe location next to the monitor
- Integral stereo amplifier
- Controls for Volume, 3D, Treble and Bass
- Subwoofer with bass reflex design to boost low-frequency sound
- Three-way reproduction
- Frequency response 50 to 18,000 Hz
- Operates at 220 to 240 volts 50 Hz, max. 55 watts
- 3.5 mm stereo connector for sound card
- Plug for headphones

ENGLISH

Blank Page